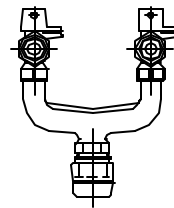


Cambridge Brass
P.O. Box 249
140 Orion Place
Cambridge, Ontario
Canada N1R 5V1
Tel: (519) 621-5520
Fax: (519) 621-8674
http://www.cambridgebrass.com

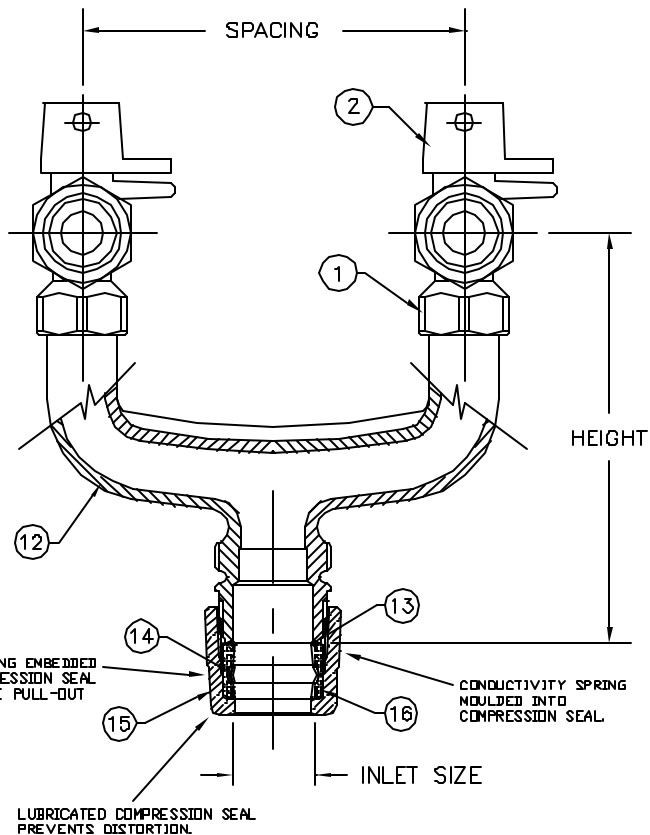
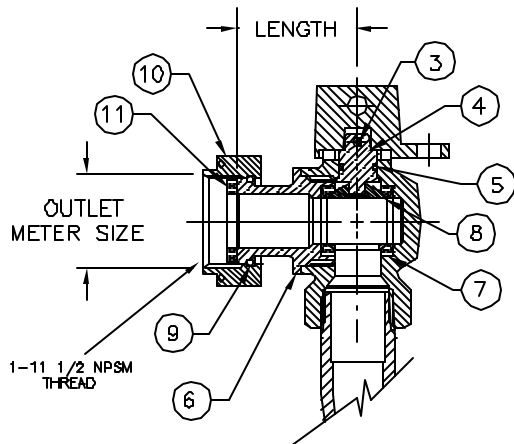


MODEL NO. 234

CB COMPRESSION x METER SWIVEL NUT

DOUBLE ANGLE CURB STOP
REDUCED PORT

FOR COPPER OR PLASTIC TUBING (CTS) INLET BY TWO METER SWIVEL NUT OUTLETS



- PARTS AND MATERIAL:
1. VALVE BODY: CAST BRASS, ALLOY C83600
 2. LOCKING GAP: CAST BRASS, ALLOY C84400
 3. GAP PIN: STAINLESS STEEL, TYPE 420
 4. STEM: COPPER, ALLOY C83600
 5. O-RING: NITRILE RUBBER
 6. ENDBODY: CAST BRASS, ALLOY C83600
 7. SEATS: NITRILE RUBBER
 8. BALL: COPPER, ALLOY C83600, TEFLON COATED
 9. RETAINER RING: PHOSPOR BRONZE WIRE
 10. METER SWIVEL NUT: CAST BRASS, ALLOY C84400
 11. SEALING WASHER: NEOPRENE RUBBER
 12. BRANCH BODY: CAST BRASS, ALLOY C83600
 13. CONDUCTOR SPRING: BRASS
 14. GRIPPER: STAINLESS STEEL, ALLOY 302
 15. COMPRESSION NUT: CAST BRASS, ALLOY C83600
 16. COMPRESSION SEAL: NITRILE RUBBER

GRIPPER RING EMBEDDED INTO COMPRESSION SEAL TO PROVIDE PULL-OUT RESTRAINT.

CONDUCTIVITY SPRING MOUNTED INTO COMPRESSION SEAL

LUBRICATED COMPRESSION SEAL PREVENTS DISTORTION.

FEATURES:

- MANUFACTURED IN COMPLIANCE WITH AWWA STANDARD C800-05 (ASTM B-62 AND ASTM B-584, UNS C83600-85-5-5-5).
- CSA CLASSIFIED TO ANSI/NSF STANDARD 61-8.
- BRANCH VALVES HAVE PADLOCK WINGS FOR LOCKING VALVE IN CLOSED POSITION.
- ENCAPSULATED LUGS UNDER CAP PROVIDE 90 DEGREE OPEN TO CLOSE OPERATION.
- HOLE FOR ATTACHING CURB BOX ROD OR HANDLE IS PROVIDED IN CAP.
- BLOWOUT PROOF STEM DESIGN.
- 200 PSI WORKING PRESSURE.
- METER GASKETS SUPPLIED.
- METER THREADS CONFORM TO AWWA C700.

ORDERING INFORMATION:

FULL 360 ROTATION = ADD "R" TO END OF CATALOG No.

Cambridge Brass considers the information in this submittal form to be correct at the time of publication. Item and option availability, including specifications, are subject to change without notice.

CATALOG NO.	INLET CB COMP.	OUTLET METER SIZE	SPACING	HEIGHT	LENGTH	APPROX. WT. LBS.
234-H4T3	1"	5/8"x3/4" OR 3/4"	5.62"	6.12"	1.70"	6.4
234-H4T37500	1"	5/8"x3/4" OR 3/4"	7.50"	5.06"	1.70"	

Submitted by: