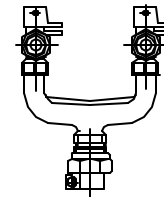


Cambridge Brass
P.O. Box 249
140 Orion Place
Cambridge, Ontario
Canada N1R 5V1
Tel: (519) 621-5520
Fax: (519) 621-8674
http://www.cambridgebrass.com

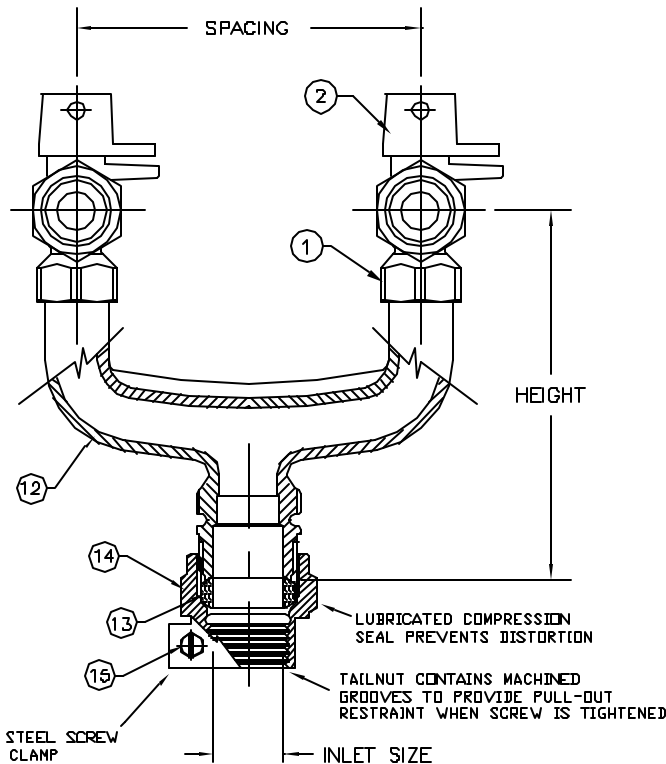
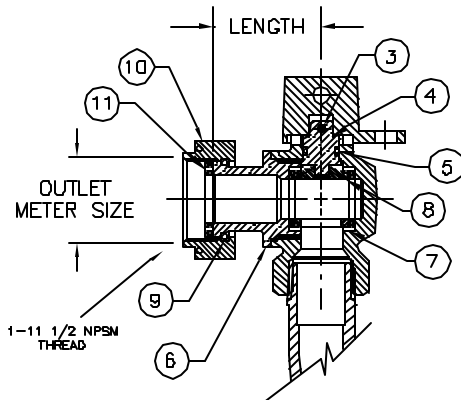


MODEL NO. 234

CAMPAK x METER SWIVEL NUT

DOUBLE ANGLE CURB STOP
REDUCED PORT

FOR COPPER OR PLASTIC TUBING (CTS) INLET BY TWO METER SWIVEL NUT OUTLETS



- PARTS AND MATERIAL:**
1. VALVE BODY: CAST BRASS, ALLOY C83600
 2. LOCKING CAP: CAST BRASS, ALLOY C84400
 3. CAP RING: STAINLESS STEEL, TYPE 420
 4. STEM: COPPER, ALLOY C83600
 5. O-RING: NITRILE RUBBER
 6. ENDBODY: CAST BRASS, ALLOY C83800
 7. SEATS: NITRILE RUBBER
 8. BALL: COPPER, ALLOY C83600, TEFLON COATED
 9. RETAINER RING: PHOSPHOR BRONZE WIRE
 10. METER SWIVEL NUT: CAST BRASS, ALLOY C84400
 11. SEALING WASHER: NEOPRENE RUBBER
 12. BRANCH BODY: CAST BRASS, ALLOY C83600
 13. COMPRESSION SEAL: NITRILE RUBBER
 14. TAILNUT: CAST BRASS, ALLOY C83800
 15. SCREW: STAINLESS STEEL, ALLOY 304

- FEATURES:**
- MANUFACTURED IN COMPLIANCE WITH AWWA STANDARD C800-05 (ASTM B-62 AND ASTM B-584, UNS NO C83600-85-5-5-5).
 - CSA CLASSIFIED TO ANSI/NSF STANDARD 61-8.
 - BRANCH VALVES HAVE PADLOCK WINGS FOR LOCKING VALVE IN CLOSED POSITION.
 - ENCAPSULATED LUGS UNDER CAP PROVIDE 90 DEGREE OPEN TO CLOSE OPERATION.
 - HOLE FOR ATTACHING CURB BOX ROD OR HANDLE IS PROVIDED IN CAP.
 - BLOWOUT PROOF STEM DESIGN.
 - 200 PSI WORKING PRESSURE.
 - METER GASKETS SUPPLIED.
 - METER THREADS CONFORM TO AWWA C700.

ORDERING INFORMATION:
FULL 360 ROTATION = ADD "R" TO END OF CATALOG No.

Cambridge Brass considers the information in this submittal form to be correct at the time of publication. Item and option availability, including specifications, are subject to change without notice.

CATALOG NO.	INLET CAMPAK	OUTLET METER SIZE	SPACING	HEIGHT	LENGTH	APPROX. WT. LBS.
234-B4T3	1"	5/8"x3/4" OR 3/4"	5.62"	6.12"	1.70"	5.2
234-B4T36500	1"	5/8"x3/4" OR 3/4"	6.50"	5.06"	1.70"	
234-B4T37500	1"	5/8"x3/4" OR 3/4"	7.50"	5.06"	1.70"	

Submitted by: