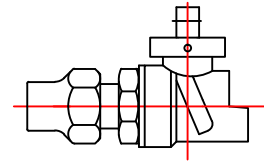


Cambridge Brass
P.O. Box 249
140 Orion Place
Cambridge, Ontario
Canada N1R 5V1
Tel: (519) 621-5520
Fax: (519) 621-8674
http://www.cambridgebrass.com

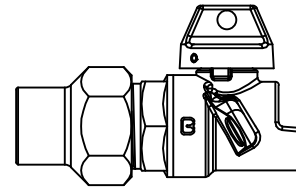
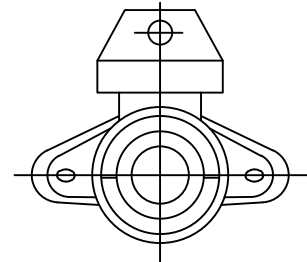
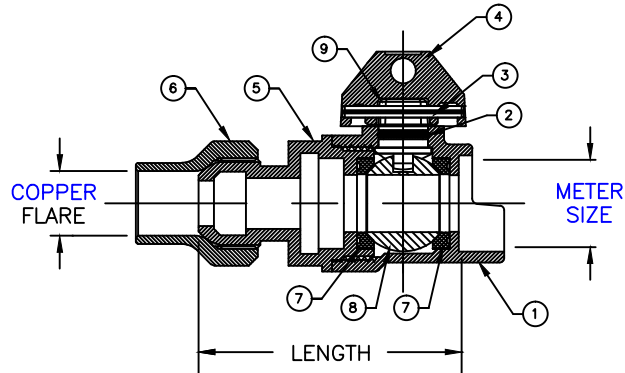


MODEL NO. 224NL

COPPER FLARE x METER YOKE

STRAIGHT BALL VALVE
REDUCED PORT

FOR COPPER TUBING x METER SPUD



224NL-C3MY1 CONFIGURATION

PARTS AND MATERIAL:

1. BODY: CAST BRASS, ALLOY C89833
2. O-RING: NITRILE RUBBER
3. SNAP RING: PHOSPHOR BRONZE
4. CAP: CAST BRASS, ALLOY C83600
5. ENDBODY: CAST BRASS, ALLOY C89833
6. NUT: CAST BRASS, ALLOY C83600
7. SEATS: NITRILE RUBBER
8. BALL: CAST BRASS, ALLOY C89833, TEFLON COATED
9. STEM: CAST BRASS, ALLOY C89833

FEATURES:

- ALL COMPONENTS CONFORM TO AWWA STANDARD C800 (ASTM B-584 UNS NO C89833 FOR BRASS PARTS IN CONTACT WITH POTABLE WATER, AND ASTM B-62 AND B-584 UNS NO C89833 FOR ALL OTHER BRASS PARTS).
- CONFORMS TO ANSI/NSF 61-8
- CONFORMS TO ANSI/NSF 372 (COMPLIANT WITH US Safe Drinking Water Act. PL 111-380)
- FLOW CAN BE IN EITHER DIRECTION.
- 300 PSI WORKING PRESSURE.
- SIDE HOLES PROVIDED FOR ATTACHING BODY TO METER BOX.
- HOLE FOR ATTACHING HANDLE IS PROVIDED IN CAP.

Cambridge Brass considers the information in this submittal form to be correct at the time of publication. Item and option availability, including specifications, are subject to change without notice.

VALVE SIZE	CATALOG NO.	COPPER FLARE	METER SIZE	LENGTH	APPROX. WT. LBS.
5/8"	224NL-C1MY1	1/2"	5/8"	2.86"	
5/8"	224NL-C3MY1	3/4"	5/8"	2.84"	

Submitted by: