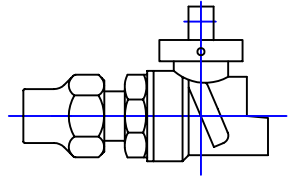


Cambridge Brass
 P.O. Box 249
 140 Orion Place
 Cambridge, Ontario
 Canada N1R 5V1
 Tel: (519) 621-5520
 Fax: (519) 621-8674
<http://www.cambridgebrass.com>

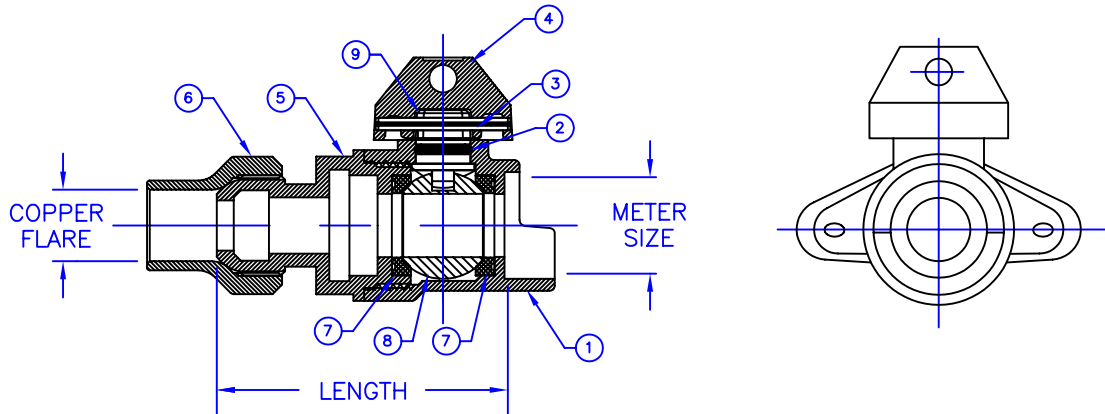


MODEL NO. 224NL

COPPER FLARE x METER YOKE

STRAIGHT BALL VALVE
 REDUCED PORT

FOR COPPER TUBING x METER SPUD



PARTS AND MATERIAL:

1. BODY: CAST BRASS, ALLOY C89833
2. O-RING: NITRILE RUBBER
3. SNAP RING: PHOSPHOR BRONZE
4. CAP: CAST BRASS, ALLOY C83600
5. ENDBODY: CAST BRASS, ALLOY C89833
6. NUT: CAST BRASS, ALLOY C83600
7. SEATS: NITRILE RUBBER
8. BALL: CAST BRASS, ALLOY C83600, TEFLON COATED
9. STEM: CAST BRASS, ALLOY C89833

FEATURES:

- MANUFACTURED IN COMPLIANCE WITH AWWA STANDARD C800-05 (ASTM B-62 AND ASTM B-584, UNS NO C83600-85-5-5-5).
- CSA CLASSIFIED TO ANSI/NSF STANDARD 61-8.
- FLOW CAN BE IN EITHER DIRECTION.
- 200 PSI WORKING PRESSURE.
- SIDE HOLES PROVIDED FOR ATTACHING BODY TO METER BOX.
- HOLE FOR ATTACHING HANDLE IS PROVIDED IN CAP.

Cambridge Brass considers the information in this submittal form to be correct at the time of publication. Item and option availability, including specifications, are subject to change without notice.

VALVE SIZE	CATALOG NO.	COPPER FLARE	METER SIZE	LENGTH	APPROX. WT. LBS.
5/8"	224NL-C1MY1	1/2"	5/8"	2.86"	

Submitted by: