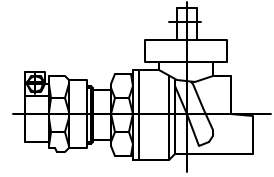


Cambridge Brass
P.O. Box 249
140 Orion Place
Cambridge, Ontario
Canada N1R 5V1
Tel: (519) 621-5520
Fax: (519) 621-8674
http://www.cambridgebrass.com

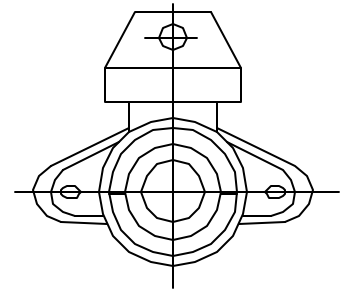
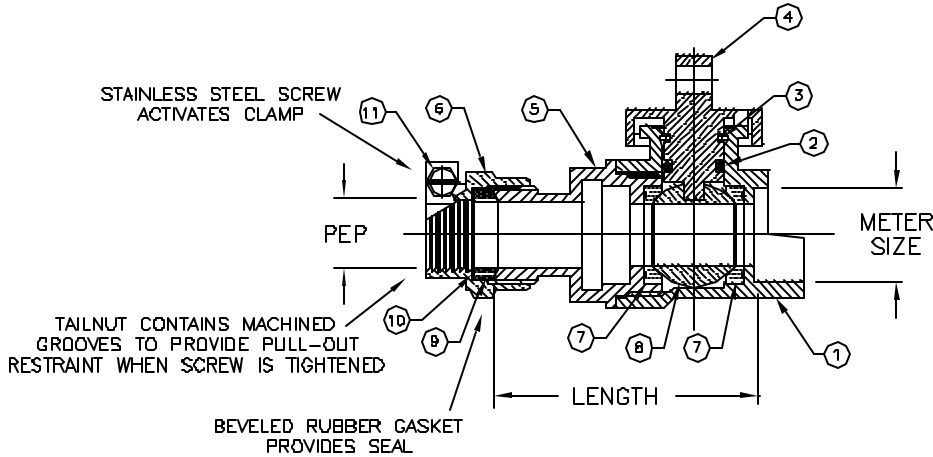


MODEL NO. 224

PEP x METER YOKE

STRAIGHT BALL VALVE
REDUCED PORT

FOR POLYETHYLENE PIPE (PEP) x METER SPUD



PARTS AND MATERIAL:

1. BODY: CAST BRASS, ALLOY C83600
2. O-RING: NITRILE RUBBER
3. SNAP RING: PHOSPHOR BRONZE
4. CAP: CAST BRASS, ALLOY C83600
5. ENDBODY: CAST BRASS, ALLOY C83600
6. NUT: CAST BRASS, ALLOY C83600
7. SEATS: NITRILE RUBBER
8. BALL: CAST BRASS, ALLOY C83600, TEFLON COATED
9. GASKET: RUBBER COMPOUND NSF-61
10. ANTI-FRICTION RING: HDPE
11. SCREW: STAINLESS STEEL, ALLOY C304

FEATURES:

- MANUFACTURED IN COMPLIANCE WITH AWWA STANDARD C800-05 (ASTM B-62 AND ASTM B-584, UNS NO C83600-85-5-5-5).
- CSA CLASSIFIED TO ANSI/NSF STANDARD 61-B.
- FLOW CAN BE IN EITHER DIRECTION.
- 200 PSI WORKING PRESSURE.
- SIDE HOLES PROVIDED FOR ATTACHING BODY TO METER BOX.
- HOLE FOR ATTACHING HANDLE IS PROVIDED IN CAP.

Cambridge Brass considers the information in this submittal form to be correct at the time of publication. Item and option availability, including specifications, are subject to change without notice.

VALVE SIZE	CATALOG NO.	PEP	METER SIZE	LENGTH	APPROX. WT. LBS.
3/4"	224-PE3MY3	3/4"	3/4"	1.90"	

Submitted by: