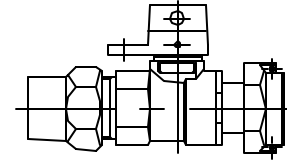


Cambridge Brass  
P.O. Box 249  
140 Orion Place  
Cambridge, Ontario  
Canada N1R 5V1  
Tel: (519) 621-5520  
Fax: (519) 621-8674  
http://www.cambridgebrass.com

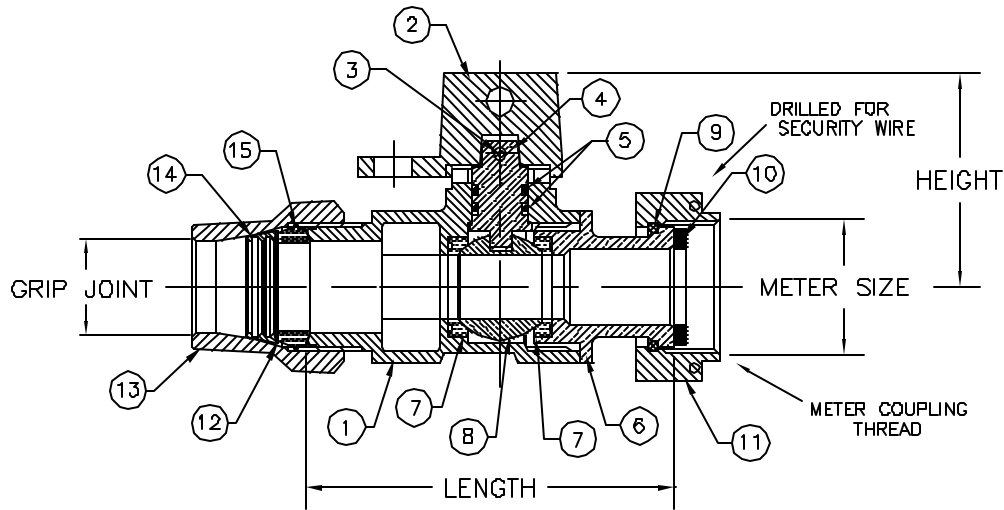


MODEL NO. 224

GRIP JOINT x METER SWIVEL NUT

CURB STOP – BALL STYLE  
REDUCED PORT WITH LOCKWING

FOR COPPER OR PLASTIC TUBING (CTS) x METER SPUD



**PARTS AND MATERIAL:**

- 1. VALVE BODY: CAST BRASS, ALLOY C83600
- 2. LOCKING CAP: CAST BRASS, ALLOY C84400
- 3. CAP PIN: STAINLESS STEEL, TYPE 420
- 4. STEM: COPPER, ALLOY C83600
- 5. O-RING: NITRILE RUBBER
- 6. ENDBODY: CAST BRASS, ALLOY C83600
- 7. SEATS: NITRILE RUBBER
- 8. BALL: COPPER, ALLOY C83600, TEFLON COATED
- 9. RETAINER RING: PHOSFOR BRONZE WIRE
- 10. SEALING WASHER: NEOPRENE RUBBER
- 11. METER SWIVEL NUT: CAST BRASS, ALLOY C84400
- 12. INSULATOR: POLYETHYLENE
- 13. GRIP JOINT NUT: CAST BRASS, ALLOY C83600
- 14. GRIPPER: BRASS, ALLOY C26000
- 15. GASKET: NITRILE RUBBER

**FEATURES:**

- MANUFACTURED IN COMPLIANCE WITH AWWA STANDARD C800-05 (ASTM B-62 AND ASTM B-584, UNS NO C83600-B5-5-5-5).
- CSA CLASSIFIED TO ANSI/NSF STANDARD 61-B.
- FLOW CAN BE IN EITHER DIRECTION.
- BLOWOUT PROOF DESIGN.
- 200 PSI WORKING PRESSURE.
- HOLE FOR ATTACHING HANDLE IS PROVIDED IN CAP.
- PADLOCK WING FOR LOCKING VALVE IN CLOSED POSITION.
- METER THREADS CONFORM TO AWWA C700.

**ORDERING INFORMATION:**

FULL 360 ROTATION = ADD "R" TO END OF CATALOG NO.  
HANDLE = ADD "H" TO END OF CATALOG NO.

Cambridge Brass considers the information in this submittal form to be correct at the time of publication. Item and option availability, including specifications, are subject to change without notice.

| VALVE SIZE | CATALOG NO. | GRIP JOINT | METER SIZE       | LENGTH | HEIGHT | APPROX. WT. LBS. |
|------------|-------------|------------|------------------|--------|--------|------------------|
| 5/8"       | 224-GJ3T3   | 3/4"       | 5/8"x3/4" & 3/4" | 3.62"  | 2.12"  |                  |

Submitted by: