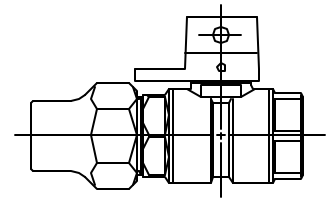


Cambridge Brass  
P.O. Box 249  
140 Orion Place  
Cambridge, Ontario  
Canada N1R 5V1  
Tel: (519) 621-5520  
Fax: (519) 621-8674  
http://www.cambridgebrass.com

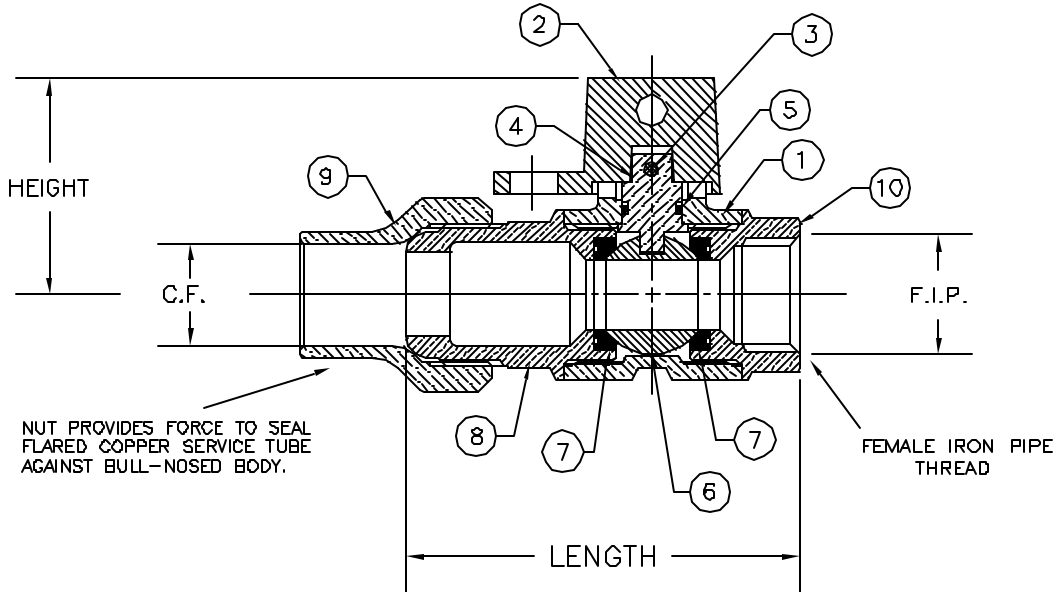


MODEL NO. 224

COPPER FLARE x FEMALE IRON PIPE

CURB STOP – BALL STYLE  
REDUCED PORT WITH LOCKWING

FOR COPPER TUBING x THREADED PIPE



**PARTS AND MATERIAL:**

1. VALVE BODY: CAST BRASS, ALLOY C83600
2. LOCKING CAP: CAST BRASS, ALLOY C84400
3. SPRING PIN: STAINLESS STEEL, TYPE 420
4. STEM: COPPER, ALLOY C83600
5. O-RING: NITRILE RUBBER
6. BALL: COPPER, ALLOY C83600, TEFLON COATED
7. SEATS: NITRILE RUBBER
8. COPPER FLARE TAILPIECE: CAST BRASS, ALLOY C83600
9. TAILNUT: CAST BRASS, ALLOY C83600
10. FIP TAILPIECE: CAST BRASS, ALLOY C83600

**FEATURES:**

- MANUFACTURED IN COMPLIANCE WITH AWWA STANDARD C80D-05 (ASTM B-62 AND ASTM B-584, UNS NO C83600-85-5-5-5).
- CSA CLASSIFIED TO ANSI/NSF STANDARD B1-B.
- BLOWOUT PROOF DESIGN.
- FLOW CAN BE IN EITHER DIRECTION.
- 200 PSI WORKING PRESSURE.
- HOLE FOR ATTACHING HANDLE IS PROVIDED IN CAP.
- PADLOCK WING FOR LOCKING VALVE IN CLOSED POSITION.

**ORDERING INFORMATION:**

FULL 360 ROTATION = ADD "R" TO END OF CATALOG NO.  
HANDLE = ADD "H" TO END OF CATALOG NO.

Cambridge Brass considers the information in this submittal form to be correct at the time of publication. Item and option availability, including specifications, are subject to change without notice.

VALVE SIZE	CATALOG NO.	COPPER FLARE	F.I.P.	LENGTH	APPROX. WT. LBS.
5/8"	224-C3F3	3/4"	3/4"	3.57"	
5/8"	224-C3F3S4330	3/4"	3/4"	4.42"	

Submitted by: