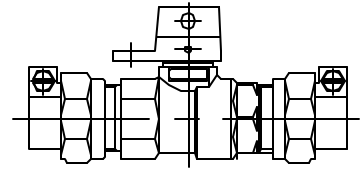


Cambridge Brass  
P.O. Box 249  
140 Orion Place  
Cambridge, Ontario  
Canada N1R 5V1  
Tel: (519) 621-5520  
Fax: (519) 621-8674  
http://www.cambridgebrass.com

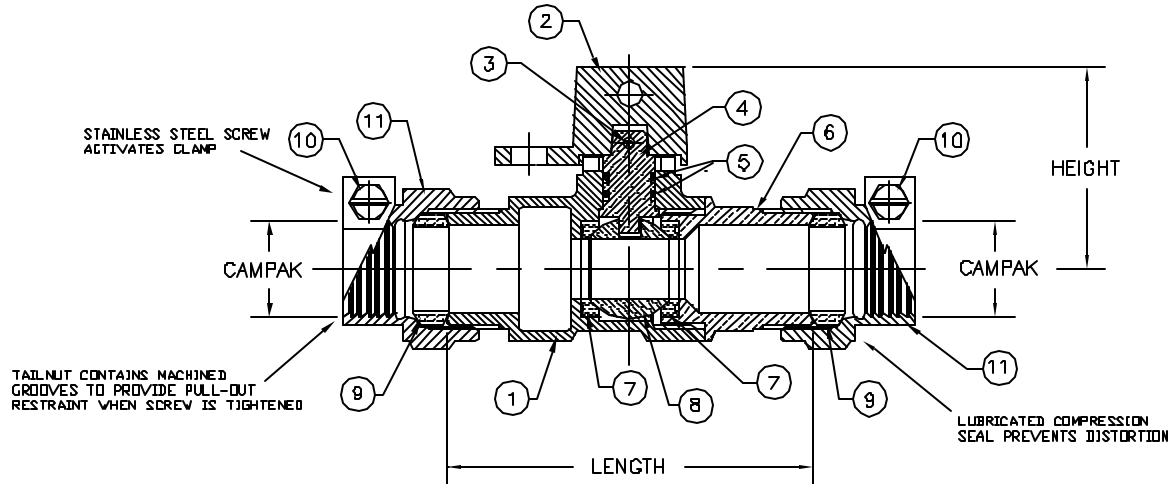


MODEL NO. 224

CAMPAK x CAMPAK

CURB STOP - BALL STYLE  
REDUCED PORT WITH LOCKWING

FOR COPPER OR PLASTIC TUBING (CTS)



**PARTS AND MATERIAL:**

- 1. VALVE BODY: CAST BRASS, ALLOY CB3600
- 2. LOCKING CAP: CAST BRASS, ALLOY CB4400
- 3. CAP PIN: STAINLESS STEEL, TYPE 420
- 4. STEM: COPPER, ALLOY CB3600
- 5. O-RING: NITRILE RUBBER
- 6. ENDBODY: CAST BRASS, ALLOY CB3600
- 7. SEATS: NITRILE RUBBER
- 8. BALL: COPPER, ALLOY CB3600, TEFLON COATED
- 9. COMPRESSION SEAL: NITRILE RUBBER
- 10. SCREW: STAINLESS STEEL, ALLOY 304
- 11. CAMPAK TAIL NUT: CAST BRASS, ALLOY CB3600

**FEATURES:**

- MANUFACTURED IN COMPLIANCE WITH AWWA STANDARD C800-05 (ASTM B-62 AND ASTM B-584, UNS NO C83600-85-5-5-5).
- CSA CLASSIFIED TO ANSI/NSF STANDARD 61-8.
- FLOW CAN BE IN EITHER DIRECTION.
- BLOWOUT PROOF DESIGN.
- 200 PSI WORKING PRESSURE.
- HOLE FOR ATTACHING HANDLE IS PROVIDED IN CAP.
- PADLOCK WING FOR LOCKING VALVE IN CLOSED POSITION.

**ORDERING INFORMATION:**

FULL 360 ROTATION - ADD "R" TO END OF CATALOG NO.  
HANDLE = ADD "H" TO END OF CATALOG NO.

Cambridge Brass considers the information in this submittal form to be correct at the time of publication. Item and option availability, including specifications, are subject to change without notice.

| VALVE SIZE | CATALOG NO. | CAMPAK | CAMPAK | LENGTH | HEIGHT | APPROX. WT. LBS. |
|------------|-------------|--------|--------|--------|--------|------------------|
| 5/8"       | 224-B3B3    | 3/4"   | 3/4"   | 3.83"  | 2.12"  |                  |

Submitted by: