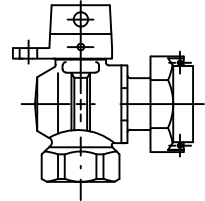


Cambridge Brass  
P.O. Box 249  
140 Orion Place  
Cambridge, Ontario  
Canada N1R 5V1  
Tel: (519) 621-5520  
Fax: (519) 621-8674  
http://www.cambridgebrass.com

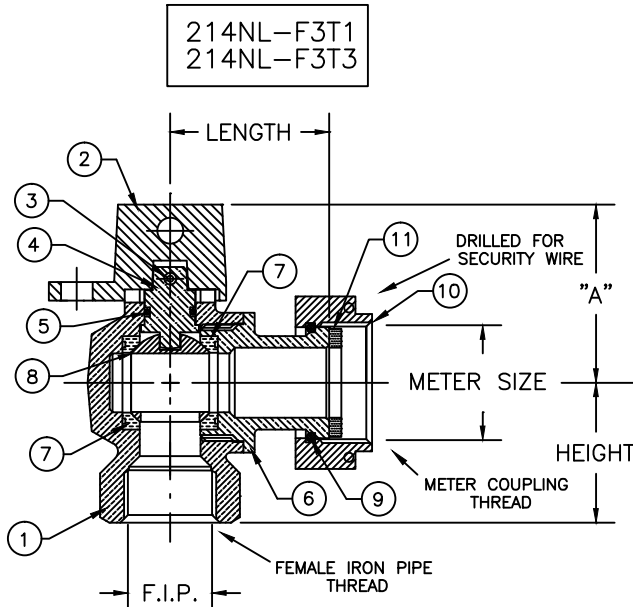


MODEL NO. 214NL

FEMALE IRON PIPE x METER SWIVEL NUT

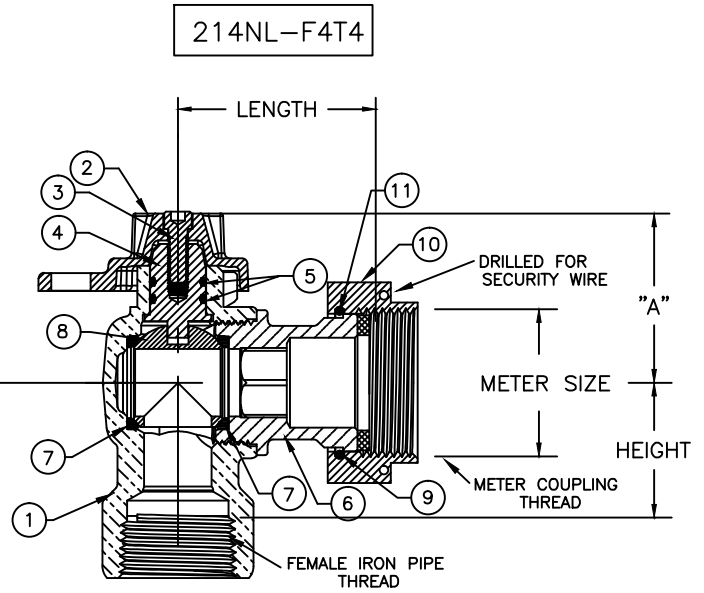
ANGLE METER STOP – BALL STYLE  
REDUCED PORT WITH LOCKWING

FOR THREADED PIPE x METER SPUD



- PARTS AND MATERIAL:**
1. VALVE BODY: CAST BRASS, ALLOY C89833
  2. LOCKING CAP: CAST BRASS, ALLOY C83600
  3. CAP PIN: STAINLESS STEEL, TYPE 420
  4. STEM: RED BRASS ALLOY C23000
  5. O-RING: NITRILE RUBBER
  6. ENDBODY: CAST BRASS, ALLOY C89833
  7. SEATS: NITRILE RUBBER
  8. BALL: CAST BRASS ALLOY C89833, TEFLON COATED
  9. RETAINER RING: PHOSPOR BRONZE WIRE
  10. METER SWIVEL NUT: CAST BRASS, ALLOY C83600
  11. SEALING WASHER: EPDM RUBBER

- FEATURES:**
- MANUFACTURED IN COMPLIANCE WITH AWWA STANDARD C800-05 (ASTM B-584 UNS NO C89833 FOR BRASS PARTS IN CONTACT WITH POTABLE WATER, AND ASTM B-62 AND B-584 UNS NO C83600 FOR ALL OTHER BRASS PARTS).
  - CONFORMS TO ANSI/NSF 61-8
  - CONFORMS TO ANSI/NSF 372 (COMPLIANT WITH US Safe Drinking Water Act, PL 111-380)
  - FLOW CAN BE IN EITHER DIRECTION.
  - BLOWOUT PROOF DESIGN.
  - 300 PSI WORKING PRESSURE.
  - HOLE FOR ATTACHING HANDLE IS PROVIDED IN CAP.
  - PADLOCK WING FOR LOCKING VALVE IN CLOSED POSITION.
  - METER THREAD COMFORMS TO AWWA C700.



- PARTS AND MATERIAL:**
1. VALVE BODY: CAST BRASS, ALLOY C89833
  2. LOCKING CAP: CAST BRASS, ALLOY C83600
  3. CAP SCREW: STAINLESS STEEL, TYPE 304
  4. STEM: STAINLESS STEEL, TYPE 303
  5. O-RING: NITRILE RUBBER
  6. ENDBODY: CAST BRASS, ALLOY C89833
  7. SEATS: TEFLON
  8. BALL: CAST BRASS ALLOY C89833
  9. RETAINER RING: PHOSPOR BRONZE WIRE
  10. METER SWIVEL NUT: CAST BRASS, ALLOY C83600
  11. SEALING WASHER: EPDM RUBBER

- FEATURES:**
- MANUFACTURED IN COMPLIANCE WITH AWWA STANDARD C800-05 (ASTM B-584 UNS NO C89833 FOR BRASS PARTS IN CONTACT WITH POTABLE WATER, AND ASTM B-62 AND B-584 UNS NO C83600 FOR ALL OTHER BRASS PARTS).
  - CONFORMS TO ANSI/NSF 61-8
  - CONFORMS TO ANSI/NSF 372 (COMPLIANT WITH US Safe Drinking Water Act, PL 111-380)
  - FLOW CAN BE IN EITHER DIRECTION.
  - BLOWOUT PROOF DESIGN.
  - 300 PSI WORKING PRESSURE.
  - HOLE FOR ATTACHING HANDLE IS PROVIDED IN CAP.
  - PADLOCK WING FOR LOCKING VALVE IN CLOSED POSITION.
  - METER THREAD COMFORMS TO AWWA C700.

**ORDERING INFORMATION:**  
FULL 360 ROTATION = ADD "R" TO END OF CATALOG NO.  
HANDLE = ADD "H" TO END OF CATALOG NO.

Cambridge Brass considers the information in this submittal form to be correct at the time of publication. Item and option availability, including specifications, are subject to change without notice.

VALVE SIZE	CATALOG NO.	F.I.P.	METER SIZE	HEIGHT	LENGTH	"A"	APPROX. WHT. LBS.
5/8"	214NL-F3T1	3/4"	5/8	1.50"	1.70"	1.93"	
5/8"	214NL-F3T3	3/4"	5/8X3/4 OR 3/4"	1.50"	1.70"	1.93"	1.4
3/4"	214NL-F4T4	1"	1"	2.17"	2.00"	1.88	2.4

Submitted by: