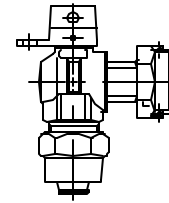


Cambridge Brass
P.O. Box 249
140 Orion Place
Cambridge, Ontario
Canada N1R 5V1
Tel: (519) 621-5520
Fax: (519) 621-8674
http://www.cambridgebrass.com

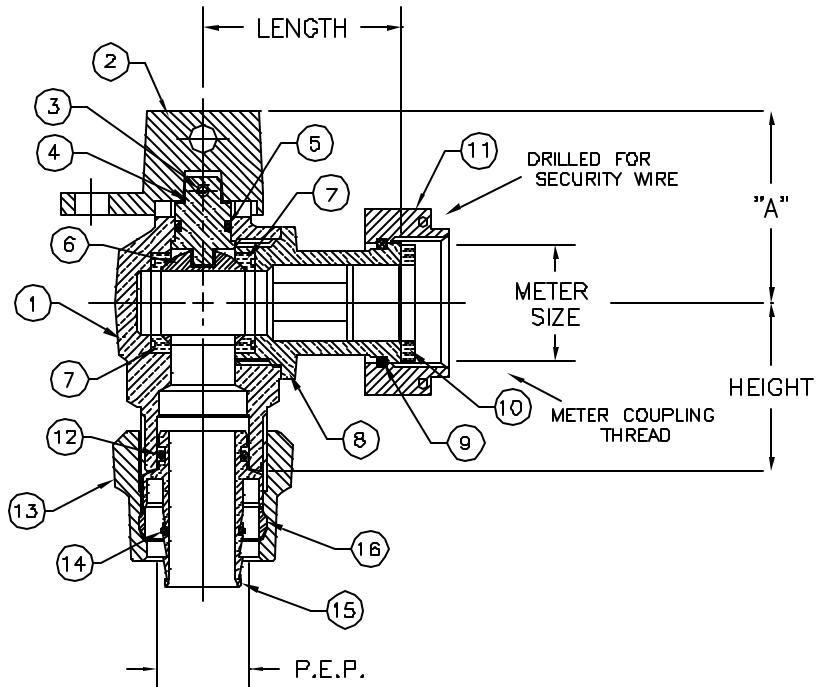


MODEL NO. 214

P.E.P. x METER SWIVEL NUT

ANGLE METER STOP - BALL STYLE
REDUCED PORT WITH LOCKWING

FOR POLYETHYLENE PLASTIC PIPE SDR-7, IPS SIZE x METER SPUD



PARTS AND MATERIAL:

- 1. VALVE BODY: CAST BRASS, ALLOY C83600
- 2. LOCKING CAP: CAST BRASS, ALLOY C84400
- 3. CAP PIN: STAINLESS STEEL, TYPE 420
- 4. STEM: COPPER, ALLOY C83600
- 5. O-RING: NITRILE RUBBER
- 6. BALL: COPPER, ALLOY C83600, TEFLON COATED
- 7. SEATS: NITRILE RUBBER
- 8. ENDPiece: COPPER, ALLOY C83600
- 9. RETAINER RING: PHOSPOR BRONZE WIRE
- 10. SEALING WASHER: NEOPRENE RUBBER
- 11. METER SWIVEL NUT: CAST BRASS, ALLOY C84400
- 12. O-RING: NITRILE RUBBER
- 13. P.E.P. NUT: CAST BRASS, ALLOY C83600
- 14. O-RING: NITRILE RUBBER
- 15. INSERT: COPPER, ALLOY C23000
- 16. GRIPPER: BRASS, ALLOY C26000

FEATURES:
- MANUFACTURED IN COMPLIANCE WITH AWWA STANDARD C800-05 (ASTM B-62 AND ASTM B-584, UNS NO C83600-85-5-5-5).
- CSA CLASSIFIED TO ANSI/NSF STANDARD 61-8.
- FLOW CAN BE IN EITHER DIRECTION.
- BLOWOUT PROOF DESIGN.
- 200 PSI WORKING PRESSURE.
- HOLE FOR ATTACHING HANDLE IS PROVIDED IN CAP.
- PADLOCK WING FOR LOCKING VALVE IN CLOSED POSITION.
- METER THREAD CONFORMS TO AWWA C7DD.

ORDERING INFORMATION:
FULL 360 ROTATION - ADD "R" TO END OF CATALOG NO.
HANDLE - ADD "H" TO END OF CATALOG NO.

Cambridge Brass considers the information in this submittal form to be correct at the time of publication. Item and option availability, including specifications, are subject to change without notice.

VALVE SIZE	CATALOG NO.	P.E.P.	METER SIZE	HEIGHT	LENGTH	"A"	APPROX. WT. LBS.
5/8"	214-Z3T3	3/4"	5/8" x 3/4" OR 3/4"	1.68"	1.97"	1.93"	

Submitted by: