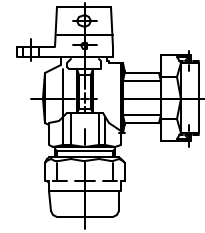


Cambridge Brass  
P.O. Box 249  
140 Orion Place  
Cambridge, Ontario  
Canada N1R 5V1  
Tel: (519) 621-5520  
Fax: (519) 621-8674  
http://www.cambridgebrass.com

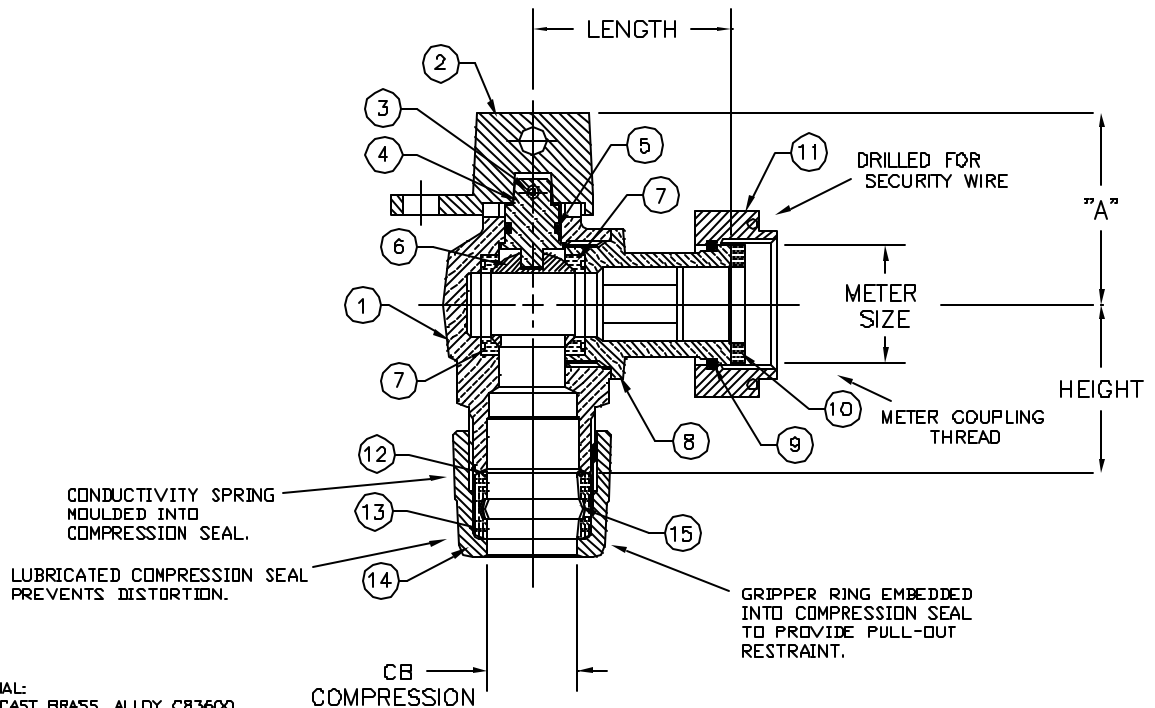


MODEL NO. 214

CB COMPRESSION x METER SWIVEL NUT

ANGLE METER STOP - BALL STYLE  
REDUCED PORT WITH LOCKWING

FOR COPPER OR PLASTIC TUBING (CTS) x METER SPUD



PARTS AND MATERIAL:

1. VALVE BODY: CAST BRASS, ALLOY C83600
2. LOCKING CAP: CAST BRASS, ALLOY C84400
3. CAP PIN: STAINLESS STEEL, TYPE 420
4. STEM: COPPER, ALLOY C83600
5. O-RING: NITRILE RUBBER
6. BALL: COPPER, ALLOY C83600, TEFLON COATED
7. SEATS: NITRILE RUBBER
8. ENDPiece: COPPER, ALLOY C83600
9. RETAINER RING: PHOSPHOR BRONZE WIRE
10. SEALING WASHER: NEOPRENE RUBBER
11. METER SWIVEL NUT: CAST BRASS, ALLOY C84400
12. CONDUCTOR SPRING: BRASS
13. COMPRESSION SEAL: NITRILE RUBBER
14. COMPRESSION NUT: CAST BRASS, ALLOY C83600
15. GRIPPER: STAINLESS STEEL, TYPE 302

FEATURES:

- MANUFACTURED IN COMPLIANCE WITH AWWA STANDARD C800-05 (ASTM B-62 AND ASTM B-584, UNS NO C83600-B5-5-5-5).
- CSA CLASSIFIED TO ANSI/NSF STANDARD 61-B.
- FLOW CAN BE IN EITHER DIRECTION.
- BLOWOUT PROOF DESIGN.
- 200 PSI WORKING PRESSURE.
- HOLE FOR ATTACHING HANDLE IS PROVIDED IN CAP.
- PADLOCK WING FOR LOCKING VALVE IN CLOSED POSITION.
- METER THREAD CONFORMS TO AWWA C700.

ORDERING INFORMATION:

FULL 360 ROTATION = ADD "R" TO END OF CATALOG NO.  
HANDLE = ADD "H" TO END OF CATALOG NO.

Cambridge Brass considers the information in this submittal form to be correct at the time of publication. Item and option availability, including specifications, are subject to change without notice.

VALVE SIZE	CATALOG NO.	CB COMP.	METER SIZE	HEIGHT	LENGTH	"A"	APPROX. WT. LBS.
5/8"	214-H3T3	3/4"	5/8"x 3/4" OR 3/4"	1.68"	1.97"	1.93"	

Submitted by: