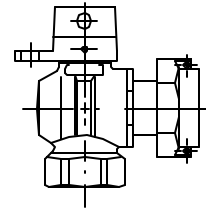


Cambridge Brass
P.O. Box 249
140 Orion Place
Cambridge, Ontario
Canada N1R 5V1
Tel: (519) 621-5520
Fax: (519) 621-8674
http://www.cambridgebrass.com



MODEL NO. 214

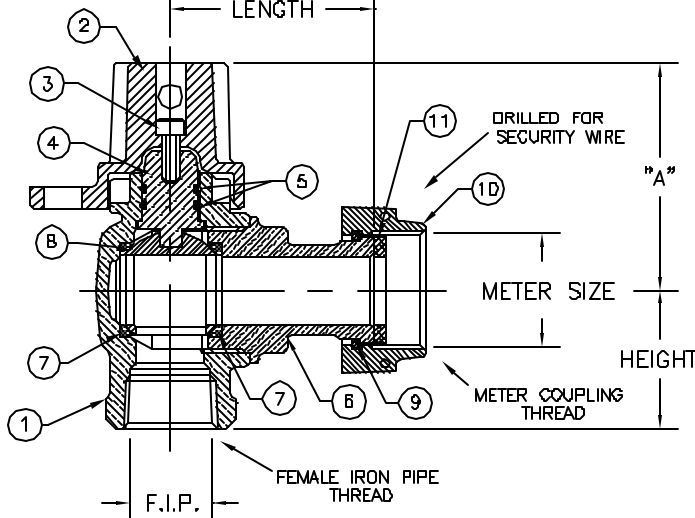
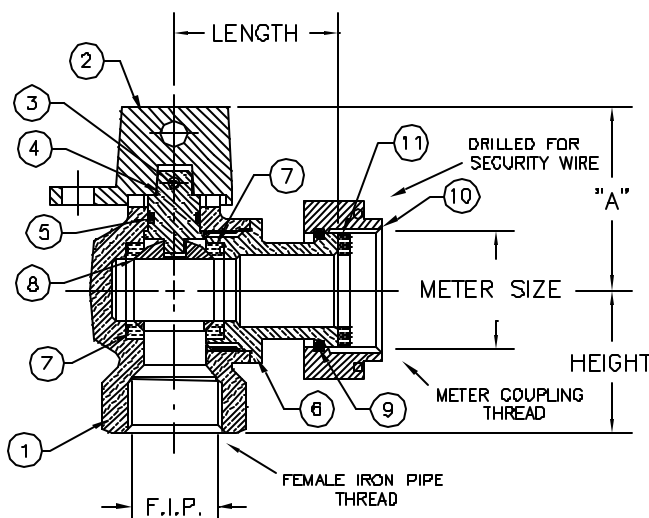
FEMALE IRON PIPE x METER SWIVEL NUT

ANGLE METER STOP – BALL STYLE
REDUCED PORT WITH LOCKWING

FOR THREADED PIPE x METER SPUD

214-F3T1
214-F3T3

214-F4T4



- PARTS AND MATERIAL:**
1. VALVE BODY: CAST BRASS, ALLOY C83600
 2. LOCKING CAP: CAST BRASS, ALLOY C84400
 3. CAP PIN: STAINLESS STEEL, TYPE 420
 4. STEM: COPPER, ALLOY C83600
 5. O-RING: NITRILE RUBBER
 6. ENDBODY: CAST BRASS, ALLOY C83600
 7. SEATS: NITRILE RUBBER
 8. BALL: COPPER, ALLOY C83600, TEFLON COATED
 9. RETAINER RING: PHOSPOR BRONZE WIRE
 10. METER SWIVEL NUT: CAST BRASS, ALLOY C84400
 11. SEALING WASHER: NEOPRENE RUBBER

- PARTS AND MATERIAL:**
1. VALVE BODY: CAST BRASS, ALLOY C83600
 2. LOCKING CAP: CAST BRASS, ALLOY C83600
 3. CAP SCREW: STAINLESS STEEL, TYPE 304
 4. STEM: STAINLESS STEEL, TYPE 303
 5. O-RING: NITRILE RUBBER
 6. ENDBODY: CAST BRASS, ALLOY C83600
 7. SEATS: TEFLON
 8. BALL: COPPER ALLOY, NO LEAD
 9. RETAINER RING: PHOSPOR BRONZE WIRE
 10. METER SWIVEL NUT: CAST BRASS, ALLOY C84400
 11. SEALING WASHER: NEOPRENE RUBBER

- FEATURES:**
- MANUFACTURED IN COMPLIANCE WITH AWWA STANDARD C800-05 (ASTM B-82 NAD ASTM B-584, UNS NO C83600-85-5-5-5).
 - CSA CLASSIFIED TO ANSI/NSF STANDARD 61-8.
 - FLOW CAN BE IN EITHER DIRECTION.
 - BLOWOUT PROOF DESIGN.
 - 200 PSI WORKING PRESSURE.
 - HOLE FOR ATTACHING HANDLE IS PROVIDED IN CAP.
 - PADLOCK WING FOR LOCKING VALVE IN CLOSED POSITION.
 - METER THREAD CONFORMS TO AWWA C700.

- FEATURES:**
- MANUFACTURED IN COMPLIANCE WITH AWWA STANDARD C800-05 (ASTM B-82 NAD ASTM B-584, UNS NO C83600-85-5-5-5).
 - CSA CLASSIFIED TO ANSI/NSF STANDARD 61-8.
 - FLOW CAN BE IN EITHER DIRECTION.
 - BLOWOUT PROOF DESIGN.
 - 300 PSI WORKING PRESSURE.
 - HOLE FOR ATTACHING HANDLE IS PROVIDED IN CAP.
 - PADLOCK WING FOR LOCKING VALVE IN CLOSED POSITION.
 - METER THREAD CONFORMS TO AWWA C700.

ORDERING INFORMATION:
FULL 360° ROTATION = ADD "R" TO END OF CATALOG NO.
HANDLE = ADD "H" TO END OF CATALOG NO.

Cambridge Brass considers the information in this submittal form to be correct at the time of publication. Item and option availability, including specifications, are subject to change without notice.

VALVE SIZE	CATALOG NO.	F.I.P.	METER SIZE	HEIGHT	LENGTH	"A"	APPROX. WHT. LBS.
5/8"	214-F3T1	3/4"	5/8x1/2"	1.50"	1.70"	1.93"	
5/8"	214-F3T3	3/4"	5/8x3/4 & 3/4"	1.50"	1.70"	1.93"	1.4
3/4"	214-F4T4	1"	1"	2.17"	2.00"	2.50"	2.4

Submitted by: