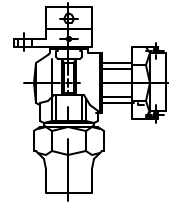


Cambridge Brass
 P.O. Box 249
 140 Orion Place
 Cambridge, Ontario
 Canada N1R 5V1
 Tel: (519) 621-5520
 Fax: (519) 621-8674
 http://www.cambridgebrass.com

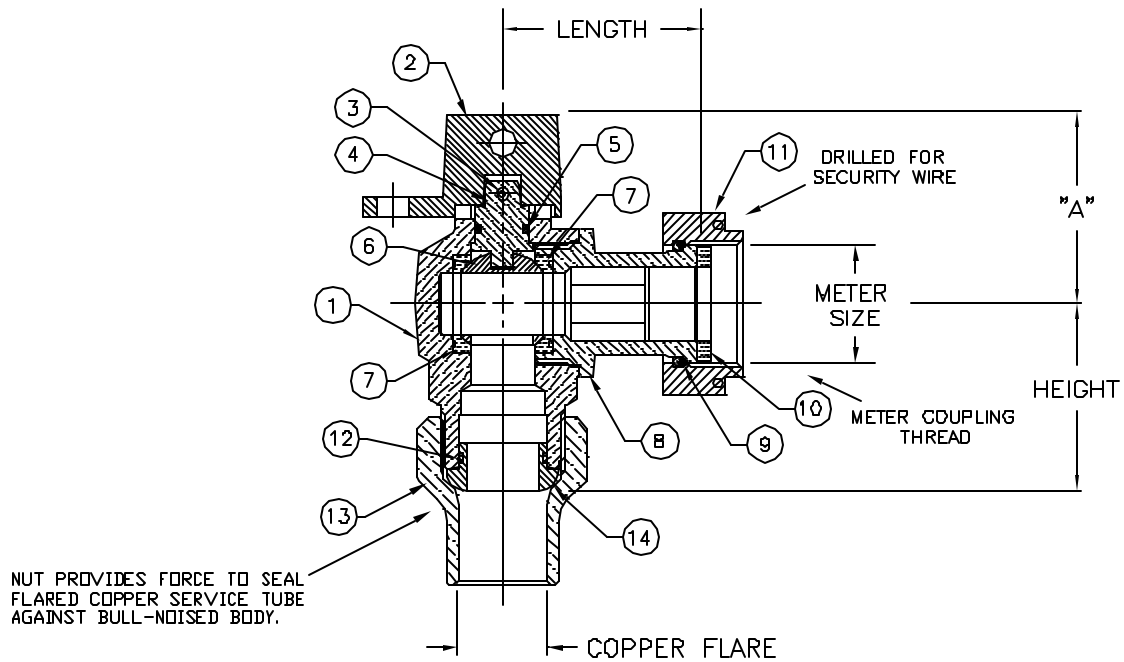


MODEL NO. 214

COPPER FLARE x METER SWIVEL NUT

ANGLE METER STOP – BALL STYLE
 REDUCED PORT WITH LOCKWING

FOR COPPER TUBING (CTS) x METER SPUD



- PARTS AND MATERIAL:**
1. VALVE BODY: CAST BRASS, ALLOY C83600
 2. LOCKING CAP: CAST BRASS, ALLOY C84400
 3. CAP PIN: STAINLESS STEEL, TYPE 420
 4. STEM: COPPER, ALLOY C83600
 5. O-RING: NITRILE RUBBER
 6. BALL: COPPER, ALLOY C83600, TEFLON COATED
 7. SEATS: NITRILE RUBBER
 8. ENDPICE: COPPER, ALLOY C83600
 9. RETAINER RING: PHOSPHOR BRONZE WIRE
 10. SEALING WASHER: NEOPRENE RUBBER
 11. METER SWIVEL NUT: CAST BRASS, ALLOY C84400
 12. D-RING: NITRILE RUBBER
 13. TALLNUT: CAST BRASS C83600
 14. ADAPTOR: CAST BRASS, ALLOY C83600

- FEATURES:**
- MANUFACTURED IN COMPLIANCE WITH AWWA STANDARD C800-05 (ASTM B-62 AND ASTM B-584, UNS NO C83600-85-5-5-5).
 - CSA CLASSIFIED TO ANSI/NSF STANDARD B1-8.
 - FLOW CAN BE IN EITHER DIRECTION.
 - BLOWOUT PROOF DESIGN.
 - 200 PSI WORKING PRESSURE.
 - HOLE FOR ATTACHING HANDLE IS PROVIDED IN CAP.
 - PADLOCK WING FOR LOCKING VALVE IN CLOSED POSITION.
 - METER THREAD COMFORMS TO AWWA C700.

ORDERING INFORMATION:
 FULL 360 ROTATION - ADD "R" TO END OF CATALOG NO.
 HANDLE - ADD "H" TO END OF CATALOG NO.

Cambridge Brass considers the information in this submittal form to be correct at the time of publication. Item and option availability, including specifications, are subject to change without notice.

VALVE SIZE	CATALOG NO.	COPPER FLARE	METER SIZE	HEIGHT	LENGTH	"A"	APPROX. WT. LBS.
5/8"	214-C3T3	3/4"	5/8" x 3/4" OR 3/4"	1.89"	1.97"	1.93"	1.9

Submitted by: