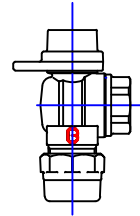


Cambridge Brass
P.O. Box 249
140 Orion Place
Cambridge, Ontario
Canada N1R 5V1
Tel: (519) 621-5520
Fax: (519) 621-8674
http://www.cambridgebrass.com



MODEL NO. 210NL

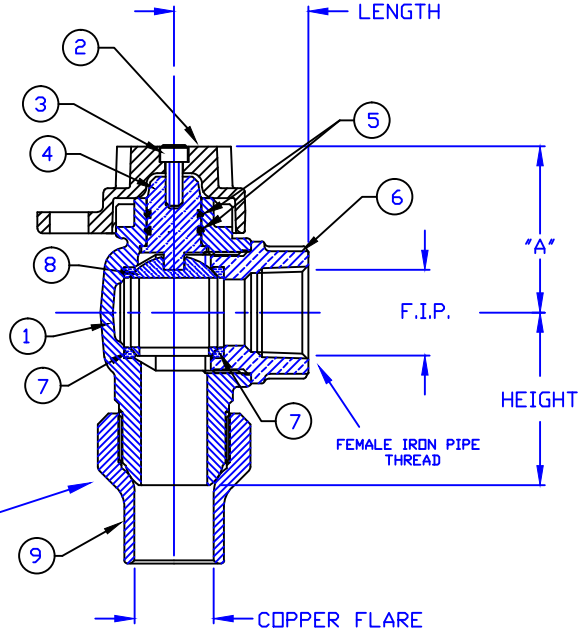
COPPER FLARE x FEMALE IRON PIPE

ANGLE METER VALVE - BALL STYLE
FULL PORT WITH LOCKWING

FOR COPPER TUBING x THREADED PIPE

PARTS AND MATERIAL:

1. VALVE BODY: CAST BRASS, ALLOY C89833
2. LOCKING CAP: CAST BRASS, ALLOY C83600
3. CAP SCREW: STAINLESS STEEL, TYPE 304
4. STEM: STAINLESS STEEL, TYPE 303
5. O-RING: NITRILE RUBBER
6. ENDBODY: CAST BRASS, ALLOY C89833
7. SEATS: TEFLON
8. BALL: CAST BRASS, ALLOY C89833
9. TAILNUT: CAST BRASS, ALLOY C83600
10. O-RING: NITRILE RUBBER
11. ADAPTER: BRASS, ALLOY C89833



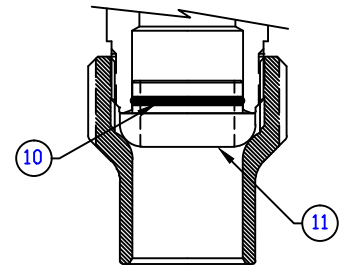
NUT PROVIDES FORCE TO SEAL
FLARED COPPER SERVICE TUBE
AGAINST BULL-NOSED BODY.

FEATURES:

- MANUFACTURED IN COMPLIANCE WITH AWWA STANDARD C800-05
(CASTM B-584 UNS NO C89833 FOR BRASS PARTS IN CONTACT WITH POTABLE WATER,
AND ASTM B-62 AND B-584 UNS NO C83600 FOR ALL OTHER BRASS PARTS).
- CONFORMS TO ANSI/NSF 61-8
- CONFORMS TO ANSI/NSF 372 (COMPLIANT WITH US Safe Drinking Water Act. PL 111-380)
- FLOW CAN BE IN EITHER DIRECTION.
- ROTATION STOPS RESISTS 200 FT-LB TORQUE.
- ENCAPSULATED LUGS UNDER CAP PROVIDE 90 DEGREE OPEN TO CLOSE OPERATION.
- BLOWOUT PROOF DESIGN.
- 300 PSI WORKING PRESSURE.
- HOLE FOR ATTACHING HANDLE IS PROVIDED IN CAP.
- PADLOCK WING FOR LOCKING VALVE IN CLOSED POSITION.

ORDERING INFORMATION:

- FULL 360 ROTATION = ADD "R" TO END OF CATALOG NO.
- HANDLE = ADD "H" TO END OF CATALOG NO. AND ADD 0.75" HEIGHT TO DIM. A
- TALL CAP = ADD "P" TO END OF CATALOG NO. AND ADD 0.58" HEIGHT TO DIM. A



210-C4F4

Cambridge Brass considers the information in this submittal form to be correct at the time of publication.
Item and option availability, including specifications, are subject to change without notice.

| VALVE SIZE | CATALOG NO. | INLET C.F. | INLET F.I.P. | HEIGHT | LENGTH | "A" | APPROX. WT. LBS. |
|------------|-------------|------------|--------------|--------|--------|-------|------------------|
| 3/4" | 210NL-C3F3 | 3/4" | 3/4" | 2.03" | 1.53" | 1.92" | 2.1 |
| 3/4" | 210NL-C4F3 | 1" | 3/4" | 2.17" | 1.53" | 1.92" | |
| 1" | 210NL-C4F4 | 1" | 1" | 2.32" | 1.78" | 2.10" | 3.1 |

Submitted by: