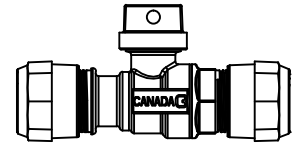


Cambridge Brass  
P.O. Box 249  
140 Orion Place  
Cambridge, Ontario  
Canada N1R 5V1  
Tel: (519) 621-5520  
Fax: (519) 621-8674  
http://www.cambridgebrass.com

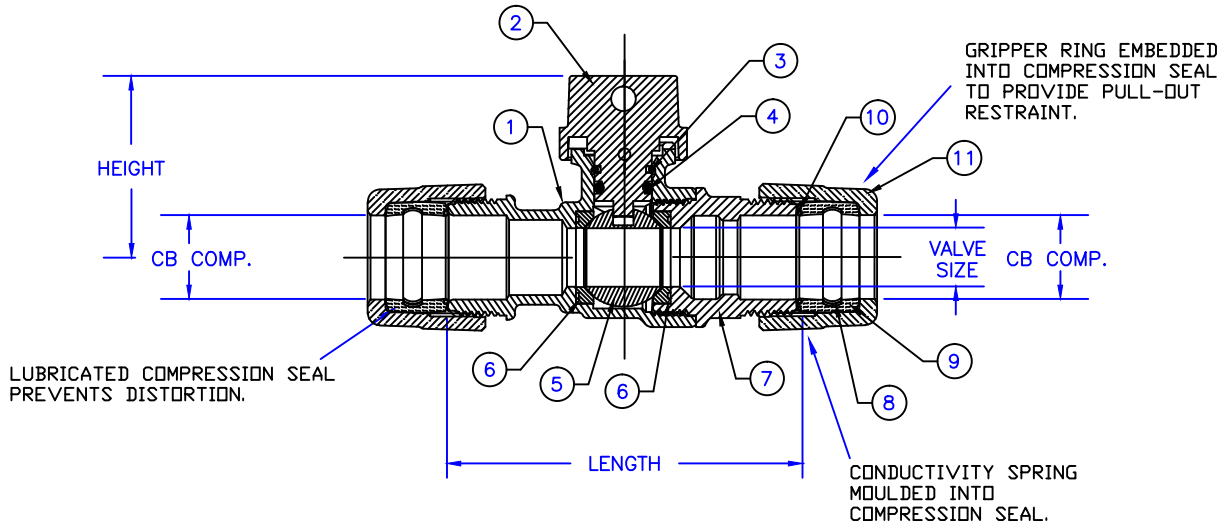


MODEL NO. 204NL

CB COMPRESSION x CB COMPRESSION

CURB STOP – BALL STYLE  
REDUCED PORT

FOR COPPER OR PLASTIC TUBING (CTS)



PARTS AND MATERIAL:

1. VALVE BODY: CAST BRASS, ALLOY C89833
2. CAP STEM S/A: CAST BRASS, ALLOY C89833
3. SNAP RING: PHOSPHOR BRONZE, ALLOY C51000
4. O-RING: NITRILE RUBBER
5. BALL: COPPER, ALLOY C89833, TEFLON COATED
6. SEATS: NITRILE RUBBER
7. ENDPiece: CAST BRASS, ALLOY C89833
8. GRIPPER: STAINLESS STEEL, TYPE 302
9. COMPRESSION SEAL: EPDM
10. CONDUCTOR SPRING: BRASS
11. TAILNUT: CAST BRASS, ALLOY C83600

FEATURES:

- CONFORMS TO AWWA C800 (ASTM B584 UNS C89833 FOR ALL BRASS PARTS IN CONTACT WITH POTABLE WATER) AND ASTM B62 AND B-584 UNS NO C83600 FOR ALL OTHER BRASS PARTS).
- CONFORMS TO ANSI/NSF 61-8
- CONFORMS TO ANSI/NSF 372 (COMPLIANT WITH US Safe Drinking Water Act. PL 111-380)
- BLOWOUT PROOF DESIGN.
- 300 PSI WORKING PRESSURE.
- FLOW CAN BE IN EITHER DIRECTION.
- ENCAPSULATED LUGS UNDER CAP PROVIDE 90 DEGREE OPEN TO CLOSE OPERATION.
- HOLE FOR ATTACHING CURB BOX ROD OR HANDLE IS PROVIDED IN CAP.

ORDERING INFORMATION:

FULL 360 ROTATION = ADD "R" TO END OF CATALOG NO.  
HANDLE = ADD "H" TO END OF CATALOG NO.

Cambridge Brass considers the information in this submittal form to be correct at the time of publication. Item and option availability, including specifications, are subject to change without notice.

| VALVE SIZE | CATALOG NO. | CB COMP. | CB COMP. | LENGTH | HEIGHT | APPROX. WT. LBS. |
|------------|-------------|----------|----------|--------|--------|------------------|
| 5/8"       | 204NL-H3H3  | 3/4"     | 3/4"     | 3.83"  | 1.93"  | 2.0              |

Submitted by: