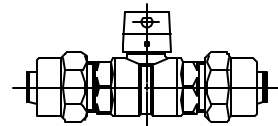


Cambridge Brass  
P.O. Box 249  
140 Orion Place  
Cambridge, Ontario  
Canada N1R 5V1  
Tel: (519) 621-5520  
Fax: (519) 621-8674  
http://www.cambridgebrass.com

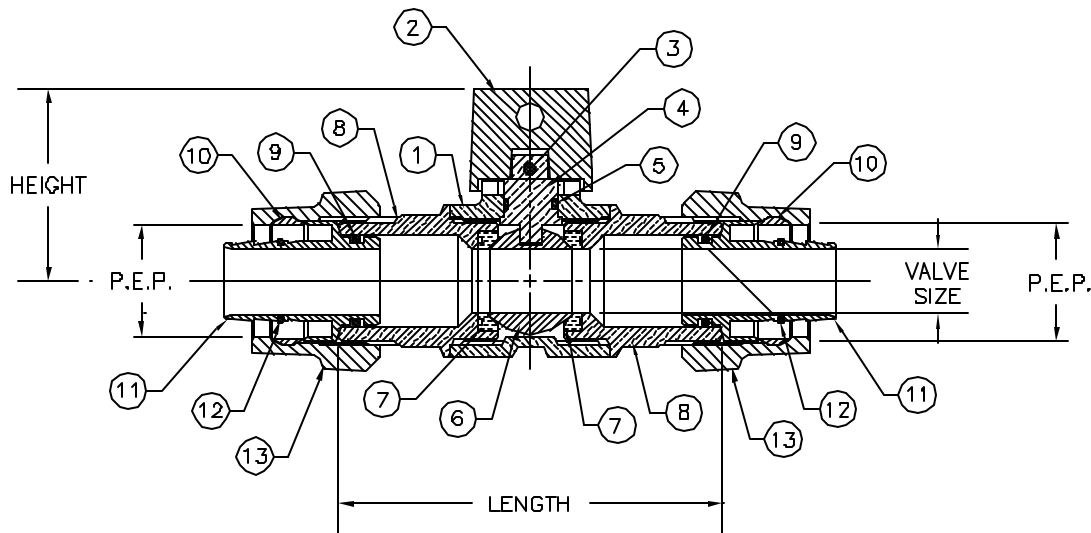


MODEL NO. 204

P.E.P. x P.E.P.

CURB STOP - BALL STYLE  
REDUCED PORT

FOR POLYETHYLENE PLASTIC PIPE SDR-7, IPS SIZE



**PARTS AND MATERIAL:**

1. VALVE BODY: CAST BRASS, ALLOY C83600
2. CAP: CAST BRASS, ALLOY C84400
3. SPRING PIN: STAINLESS STEEL, TYPE 402
4. STEM: COPPER, ALLOY C83600
5. O-RING: NITRILE RUBBER
6. BALL: COPPER, ALLOY C83600, TEFLON COATED
7. SEATS: NITRILE RUBBER
8. ENDPIECE: CAST BRASS, ALLOY C83600
9. O-RING: NITRILE RUBBER
10. GRIPPER: BRASS, ALLOY C26000
11. INSERT: COPPER, ALLOY C23000
12. O-RING: NITRILE RUBBER
13. P.E.P. NUT: CAST BRASS, ALLOY C83600

**FEATURES:**

- MANUFACTURED IN COMPLIANCE WITH AWWA STANDARD C800-05 (ASTM B-62 AND ASTM B-584, UNS NO C83600-B5-5-5-5).
- CSA CLASSIFIED TO ANSI/NSF STANDARD 61-8.
- BLOWOUT PROOF DESIGN.
- 200 PSI WORKING PRESSURE.
- FLOW CAN BE IN EITHER DIRECTION.
- ENCAPSULATED LUGS UNDER CAP PROVIDE 90 DEGREE OPEN TO CLOSE OPERATION.
- HOLE FOR ATTACHING CURB BOX ROD OR HANDLE IS PROVIDED IN CAP.

**ORDERING INFORMATION:**

FULL 360 ROTATION = ADD "R" TO END OF CATALOG NO.  
HANDLE = ADD "H" TO END OF CATALOG NO.

Cambridge Brass considers the information in this submittal form to be correct at the time of publication. Item and option availability, including specifications, are subject to change without notice.

VALVE SIZE	CATALOG NO.	P.E.P.	P.E.P.	LENGTH	HEIGHT	APPROX. WT. LBS.
5/8"	204-Z3Z3	3/4"	3/4"	3.82"	1.94"	

Submitted by: