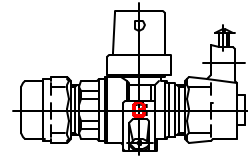


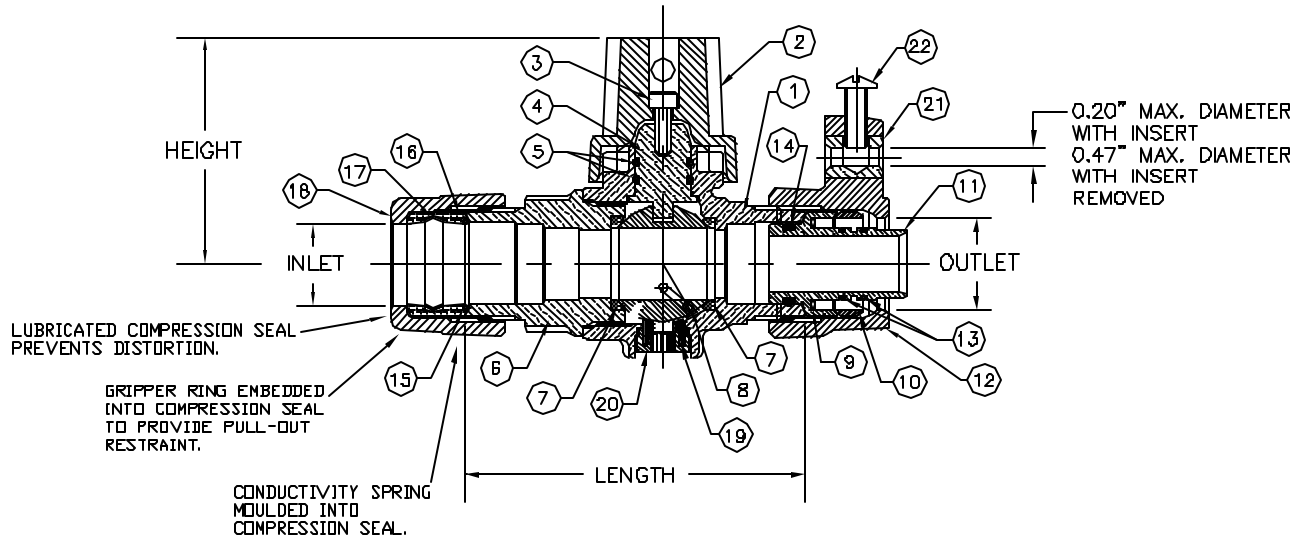
Cambridge Brass
P.O. Box 249
140 Orion Place
Cambridge, Ontario
Canada N1R 5V1
Tel: (519) 621-5520
Fax: (519) 621-8674
http://www.cambridgebrass.com



MODEL NO. 203NL

CB COMPRESSION x
KITEC ELECTRICAL

CURB STOP – BALL STYLE
DRAINING



PARTS AND MATERIAL:

1. VALVE BODY: CAST BRASS, ALLOY C89B33
2. CAP: CAST BRASS, ALLOY C83600
3. CAP SCREW: STAINLESS STEEL, TYPE 304
4. STEM: STAINLESS STEEL, TYPE 303
5. O-RING: NITRILE RUBBER
6. ENDBODY: CAST BRASS, ALLOY C89B33
7. SEATS: TEFLON
8. BALL: CAST BRASS, ALLOY C89B33
9. INSULATOR: POLYETHYLENE
10. GRIPPER: BRASS, ALLOY C5100D
11. INSERT: COPPER, ALLOY C23000
12. KITEC NUT: CAST BRASS, ALLOY C83800
13. O-RING: NITRILE RUBBER
14. O-RING: NITRILE RUBBER
15. CONDUCTOR SPRING: BRASS
16. COMPRESSION SEAL: NITRILE RUBBER
17. GRIPPER: STAINLESS STEEL, TYPE 302
18. COMPRESSION NUT: CAST BRASS, ALLOY C83600
19. DRAIN SEAL: NITRILE RUBBER
20. DRAIN PLUG: COPPER, ALLOY C36000
21. INSERT: COPPER, ALLOY C14500
22. SCREW: SILICON BRONZE

FEATURES:

- ALL COMPONENTS CONFORM TO AWWA STANDARD C800-05 (ASTM B-584 UNS NO C89B33 FOR BRASS PARTS IN CONTACT WITH POTABLE WATER, AND ASTM B-62 AND B-584 UNS C83600 FOR ALL OTHER BRASS PARTS).
- CSA CLASSIFIED TO ANSI/NSF STANDARD 61-8.
- ROTATION STOPS RESISTS 200 FT-LB TORQUE.
- ENCAPSULATED LUGS UNDER CAP PROVIDE 90 DEGREE OPEN TO CLOSE OPERATION.
- HOLE FOR ATTACHING CURB BOX ROD AND HANDLE IS PROVIDED IN CAP.
- BLOWOUT PROOF DESIGN.
- 300 PSI WORKING PRESSURE.
- VALVES ARE DIRECTIONAL (FLOW DIRECTION ARROW PROVIDED ON BODY).

ORDERING INFORMATION:

FULL 360 ROTATION = ADD "R" TO END OF CATALOG NO.
HANDLE = ADD "H" TO END OF CATALOG NO.

Cambridge Brass considers the information in this submittal form to be correct at the time of publication. Item and option availability, including specifications, are subject to change without notice.

VALVE SIZE	CATALOG NO.	INLET CB COMP.	OUTLET KITEC ELECTRICAL	LENGTH	HEIGHT	APPROX. WT. LBS.
3/4"	203NL-H3KE3	3/4"	3/4"	3.75"	2.50"	
1"	203NL-H3KE4	1"	1"	4.42"	2.68"	

Submitted by: