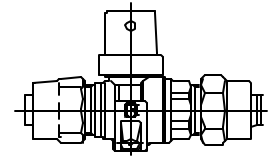


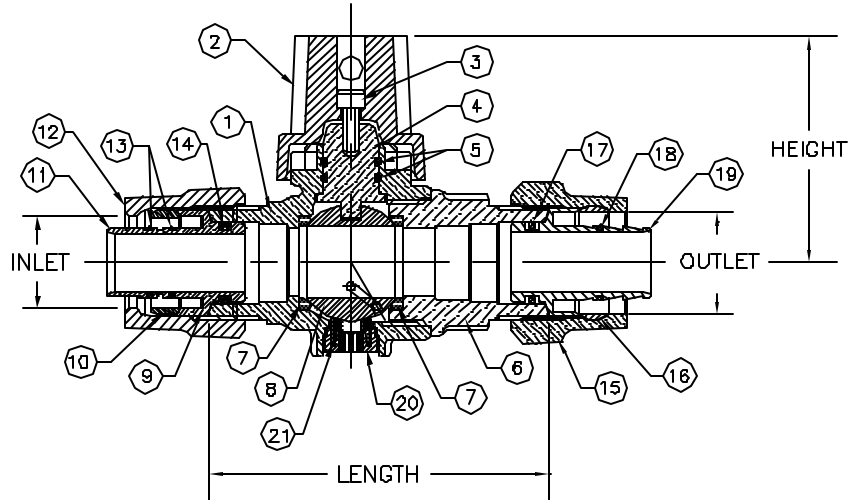
Cambridge Brass
P.O. Box 249
140 Orion Place
Cambridge, Ontario
Canada N1R 5V1
Tel: (519) 621-5520
Fax: (519) 621-8674
http://www.cambridgebrass.com



MODEL NO. 203

KITEC x P.E.P.

CURB STOP – BALL STYLE
DRAINING



PARTS AND MATERIAL:

1. VALVE BODY: CAST BRASS, ALLOY C83600
2. CAP: CAST BRASS, ALLOY C83600
3. CAP SCREW: STAINLESS STEEL, TYPE 304
4. STEM: STAINLESS STEEL, TYPE 303
5. O-RING: NITRILE RUBBER
6. ENDBODY: CAST BRASS, ALLOY C83600
7. SEATS: TEFLON
8. BALL: COPPER ALLOY, NO LEAD
9. INSULATOR: POLYETHYLENE
10. CRIPPER: BRASS, ALLOY C28000
11. INSERT: COPPER, ALLOY C23000
12. KITEC NUT: CAST BRASS, ALLOY C83600
13. O-RING: NITRILE RUBBER
14. O-RING: NITRILE RUBBER
15. P.E.P. NUT: CAST BRASS, ALLOY C83600
16. CRIPPER: BRASS, ALLOY C26000
17. O-RING: NITRILE RUBBER
18. O-RING: NITRILE RUBBER
19. INSERT: COPPER, ALLOY C23000
20. DRAIN PLUG: COPPER, ALLOY C36000
21. DRAIN SEAL: NITRILE RUBBER

FEATURES:

- MANUFACTURED IN COMPLIANCE WITH AWWA STANDARD C800-05 (ASTM B-82 AND ASTM B-884, UNS NO C83600-85-5-5-5).
- CSA CLASSIFIED TO ANSI/NSF STANDARD 61-8.
- ROTATION STOP RESISTS 200 FT-LB TORQUE.
- ENCAPSULATED LUGS UNDER CAP PROVIDE 90 DEGREE OPEN TO CLOSE OPERATION.
- HOLE FOR ATTACHING CURB BOX ROD OR HANDLE IS PROVIDED IN CAP.
- BLOWOUT PROOF DESIGN.
- 300 PSI WORKING PRESSURE.
- VALVES ARE DIRECTIONAL (FLOW DIRECTION ARROWS PROVIDED ON BODY).

ORDERING INFORMATION:

- FULL 360 ROTATION = ADD "R" TO END OF CATALOG NO.
- HANDLE = ADD "H" TO END OF CATALOG NO.

Cambridge Brass considers the information in this submittal form to be correct at the time of publication. Item and option availability, including specifications, are subject to change without notice.

VALVE SIZE	CATALOG NO.	INLET KITEC	OUTLET P.E.P.	LENGTH	HEIGHT	APPROX. WT. LBS.
3/4"	203-K3Z3	3/4"	3/4"	3.75"	2.50"	
1"	203-K4Z4	1"	1"	4.42"	2.68"	

Submitted by: