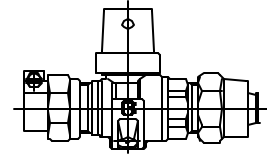


Cambridge Brass
P.O. Box 249
140 Orion Place
Cambridge, Ontario
Canada N1R 5V1
Tel: (519) 621-5520
Fax: (519) 621-8674
http://www.cambridgebrass.com

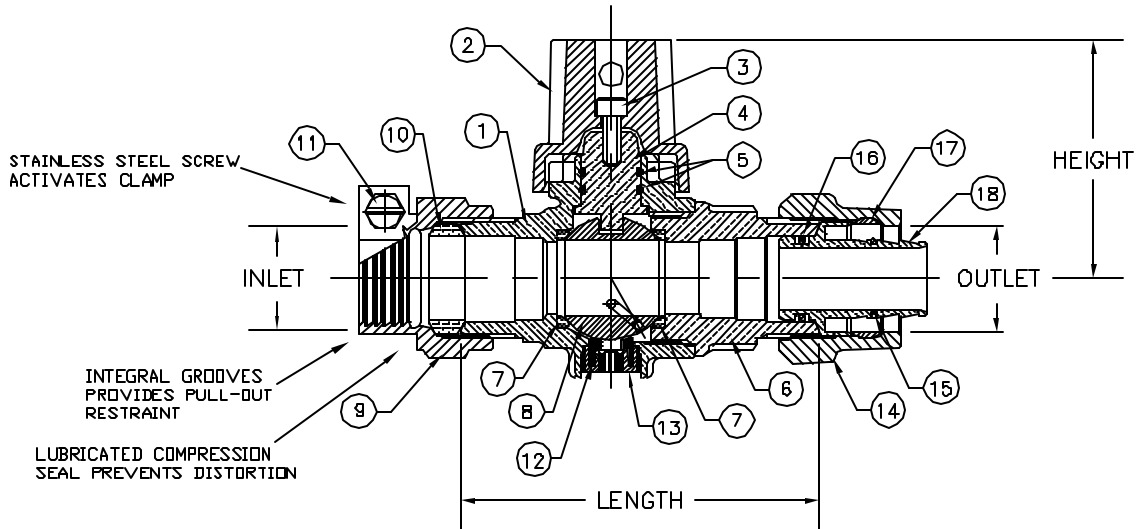


MODEL NO. 203

CAMPAK x P.E.P.

CURB STOP – BALL STYLE
DRAINING

FOR COPPER OR PLASTIC TUBING (CTS) x POLYETHYLENE PLASTIC PIPE SIDR-7, IPS SIZE



PARTS AND MATERIAL:

1. VALVE BODY: CAST BRASS, ALLOY C83600
2. CAP: CAST BRASS, ALLOY C83600
3. CAP SCREW: STAINLESS STEEL, TYPE 304
4. STEM: STAINLESS STEEL, TYPE 303
5. O-RING: NITRILE RUBBER
6. ENDBODY: CAST BRASS, ALLOY C83600
7. SEATS: TEFLON
8. BALL: COPPER ALLOY, NO LEAD
9. CAMPAK NUT: CAST BRASS, ALLOY C83600
10. COMPRESSION SEAL: NITRILE RUBBER
11. SCREW: STAINLESS STEEL, ALLOY 304
12. DRAIN SEAL: NITRILE RUBBER
13. DRAIN PLUG: COPPER, ALLOY C36000
14. P.E.P. NUT: CAST BRASS, ALLOY C83600
15. O-RING: NITRILE RUBBER
16. O-RING: NITRILE RUBBER
17. GRIPPER: BRASS, ALLOY C26000
18. INSERT: COPPER, ALLOY C23000

FEATURES:

MANUFACTURED IN COMPLIANCE WITH AWWA STANDARD C800 AND NSF 61.
ROTATION STOPS RESISTS 200 FT-LB TORQUE.
BLOWOUT PROOF DESIGN.
300 PSI WORKING PRESSURE.

ORDERING INFORMATION:

FULL 360 ROTATION - ADD "R" TO END OF CATALOG NO.
HANDLE = ADD "H" TO END OF CATALOG NO.

Cambridge Brass considers the information in this submittal form to be correct at the time of publication. Item and option availability, including specifications, are subject to change without notice.

VALVE SIZE	CATALOG NO.	INLET CAMPAK	OUTLET P.E.P.	LENGTH	HEIGHT	APPROX. WT. LBS.
3/4"	203-B3Z3	3/4"	3/4"	3.75"	2.50"	
1"	203-B4Z4	1"	1"	4.42"	2.68"	

Submitted by: