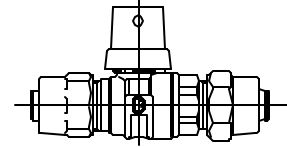


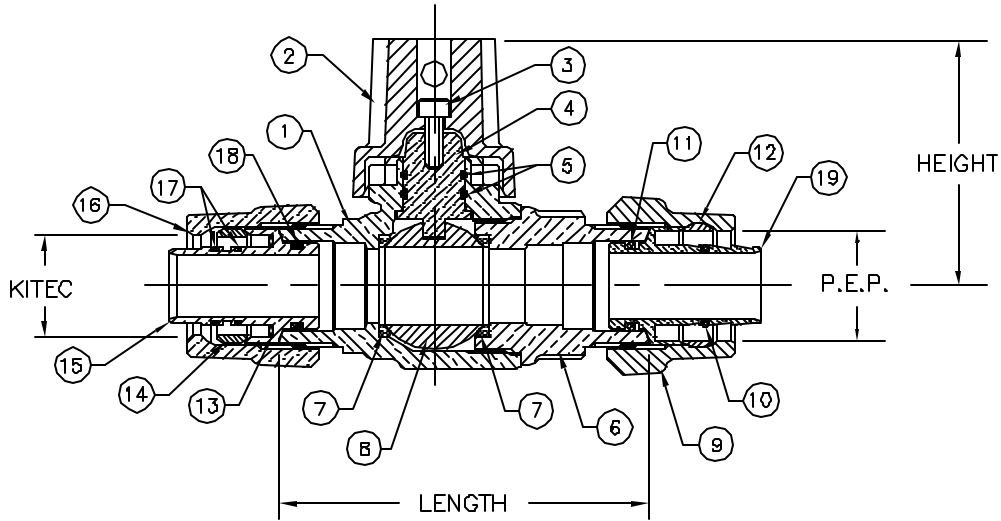
Cambridge Brass
P.O. Box 249
140 Orlon Place
Cambridge, Ontario
Canada N1R 5V1
Tel: (519) 621-5520
Fax: (519) 621-8674
http://www.cambridgebrass.com



MODEL NO. 202

KITEC x P.E.P.

CURB STOP - BALL STYLE



PARTS AND MATERIAL:

1. VALVE BODY: CAST BRASS, ALLOY C83600
2. CAP: CAST BRASS, ALLOY C83600
3. CAP SCREW: STAINLESS STEEL, TYPE 304
4. STEM: STAINLESS STEEL, TYPE 303
5. O-RING: NITRILE RUBBER
6. ENDBODY: CAST BRASS, ALLOY C83600
7. SEATS: TEFLON
8. BALL: COPPER ALLOY, NO LEAD
9. P.E.P. NUT: CAST BRASS, ALLOY C83600
10. O-RING: NITRILE RUBBER
11. O-RING: NITRILE RUBBER
12. GRIPPER: BRASS, ALLOY C26000
13. INSULATOR: POLYETHYLENE
14. GRIPPER: BRASS, ALLOY C26000
15. INSERT: COPPER, ALLOY C23000
16. KITEC NUT: CAST BRASS, ALLOY C83600
17. O-RING: NITRILE RUBBER
18. O-RING: NITRILE RUBBER
19. INSERT: COPPER, ALLOY C23000

FEATURES:

- MANUFACTURED IN COMPLIANCE WITH AWWA STANDARD C800-05 (ASTM B-82 AND ASTM B-584, UNS NO C83600-B5-5-5-5).
- CSA CLASSIFIED TO ANSI/NSF STANDARD 61-8.
- FLOW CAN BE IN EITHER DIRECTION.
- ROTATION STOPS RESISTS 200 FT-LB TORQUE.
- ENCAPSULATED LUGS UNDER CAP PROVIDE 90 DEGREE OPEN TO CLOSE OPERATION.
- HOLE FOR ATTACHING CURB BOX ROD OR HANDLE IS PROVIDED IN CAP.
- BLOWOUT PROOF DESIGN.
- 300 PSI WORKING PRESSURE.

ORDERING INFORMATION:

FULL 360 ROTATION = ADD "R" TO END OF CATALOG NO.
HANDLE = ADD "H" TO END OF CATALOG NO.

Cambridge Brass considers the information in this submittal form to be correct at the time of publication. Item and option availability, including specifications, are subject to change without notice.

VALVE SIZE	CATALOG NO.	KITEC	P.E.P.	LENGTH	HEIGHT	APPROX. WT. LBS.
3/4"	202-K3Z3	3/4"	3/4"	3.75"	2.50"	
1"	202-K4Z4	1"	1"	4.42"	2.68"	

Submitted by: