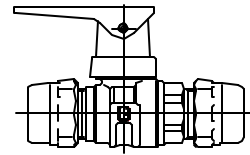


Cambridge Brass
P.O. Box 249
140 Orton Place
Cambridge, Ontario
Canada N1R 5V1
Tel: (519) 621-5520
Fax: (519) 621-8674
http://www.cambridgebrass.com

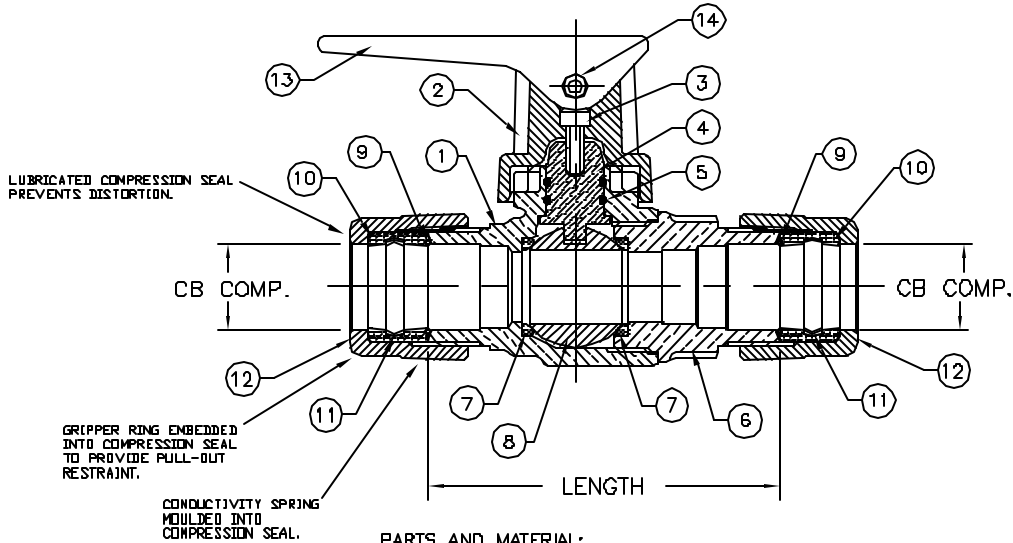


MODEL NO. 202

CB COMPRESSION x CB COMPRESSION

CURB STOP - BALL STYLE
WITH HANDLE

FOR COPPER OR PLASTIC TUBING (CTS)



PARTS AND MATERIAL:

1. VALVE BODY: CAST BRASS, ALLOY CB3600
2. CAP: CAST BRASS, ALLOY CB3600
3. CAP SCREW: STAINLESS STEEL, TYPE 304
4. STEM: STAINLESS STEEL, TYPE 303
5. O-RING: NITRILE RUBBER
6. ENDBODY: CAST BRASS, ALLOY CB3600
7. SEATS: TEFLON
8. BALL: CAST BRASS, ALLOY CB9833
9. CONDUCTOR SPRING: BRASS
10. COMPRESSION SEAL: NITRILE RUBBER
11. GRIPPER: STAINLESS STEEL, TYPE 302
12. TAILNUT: CAST BRASS, ALLOY CB3600
13. HANDLE: CAST BRASS, ALLOY CB4400
14. PIN: STAINLESS STEEL, AIS 420

FEATURES:

- MANUFACTURED IN COMPLIANCE WITH AWWA STANDARD CB00-05 (ASTM B-62 AND ASTM B-584, UNS NO CB3600-85-5-5-5).
- <X> CAS CLASSIFIED TO ANSI/NSF STANDARD 61-8.
- FLOW CAN BE IN EITHER DIRECTION.
- ROTATION STOPS RESISTS 200 FT-LB TORQUE.
- ENCAPSULATED LUGS UNDER CAP PROVIDE 90 DEGREE OPEN TO CLOSE OPERATION.
- BLOWOUT PROOF DESIGN.
- 300 PSI WORKING PRESSURE.

Cambridge Brass considers the information in this submittal form to be correct at the time of publication. Item and option availability, including specifications, are subject to change without notice.

VALVE SIZE	CATALOG NO.	CB COMP.	CB COMP.	LENGTH	APPROX. WT. LBS.	CLASSIFIED NSF 61-8
3/4"	202-H3H3H	3/4"	3/4"	3.75"		<X>
1"	202-H4H4H	1"	1"	4.42"		<X>
1 1/4"	202-H5H5H	1 1/4"	1 1/4"	6.56"		<X>
1 1/2"	202-H6H6H	1 1/2"	1 1/2"	6.56"		<X>
2"	202-H7H7H	2"	2"	6.83"		

Submitted by: