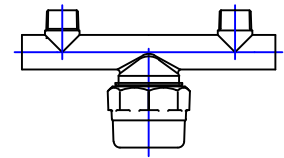


Cambridge Brass
P.O. Box 249
140 Orion Place
Cambridge, Ontario
Canada N1R 5V1
Tel: (519) 621-5520
Fax: (519) 621-8674
http://www.cambridgebrass.com

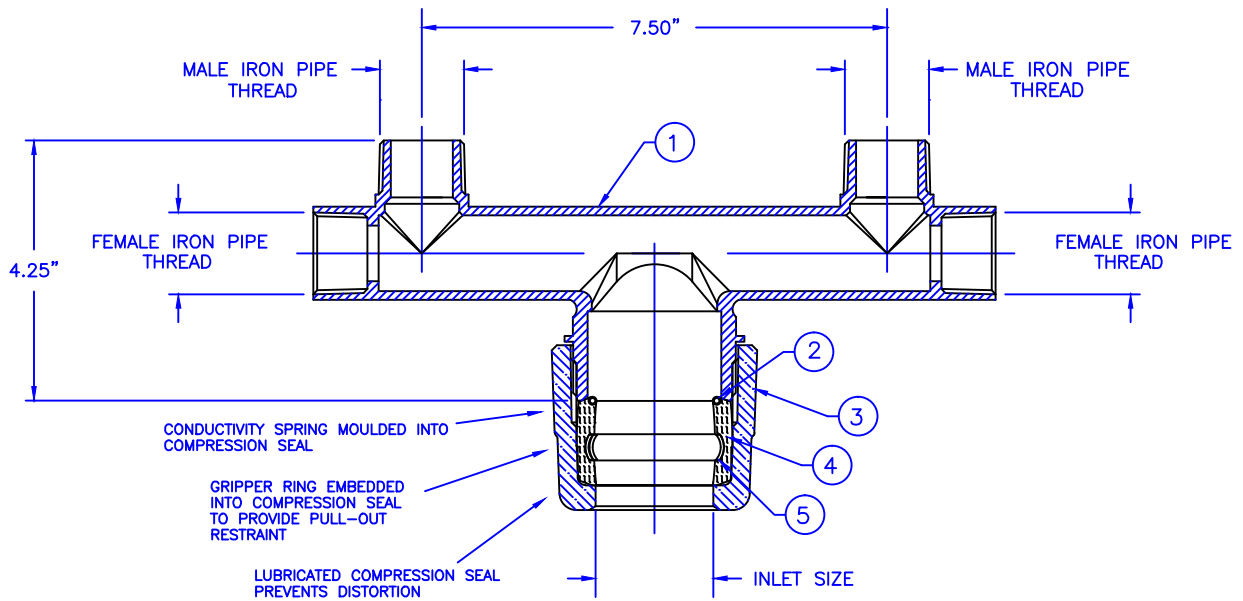


MODEL NO. 173NL

CB COMPRESSION x M.I.P. x F.I.P.

NO LEAD
U-BRANCH

CB COMPRESSION JOINT FOR COPPER OR PLASTIC TUBING (CTS) INLET BY IRON PIPE THREAD OUTLETS



PARTS AND MATERIAL:

1. BODY: CAST BRASS, ALLOY C89833
2. CONDUCTOR SPRING: BRASS
3. COMPRESSION NUT: CAST BRASS, ALLOY C83600
4. COMPRESSION SEAL: EPDM RUBBER
5. GRIPPER: STAINLESS STEEL, ALLOY 304

FEATURES:

- MANUFACTURED IN COMPLIANCE WITH AWWA STANDARD C800 (ASTM B-584, UNS NO C89833).
- CONFORMS TO ANSI/NSF 61-8
- CONFORMS TO ANSI/NSF 372 (COMPLIANT WITH US Safe Drinking Water Act. PL 111-380)
- 300PSI WORKING PRESSURE
- BODY DESIGN PROVIDES LARGE RUGGED WRENCH FLATS FOR PROPER INSTALLATION.

Cambridge Brass considers the information in this submittal form to be correct at the time of publication. Item and option availability, including specifications, are subject to change without notice.

CATALOG NO.	INLET SIZE	MALE IRON PIPE	FEMALE IRON PIPE	APPROX. WT. LBS.
173NL-H6M4F4	1 1/2" CB COMP.	1"	1"	4.1
173NL-H7M4F4	2" CB COMP.	1"	1"	5.0

Submitted by: