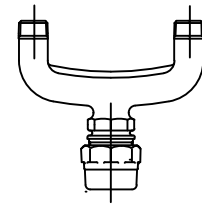


Cambridge Brass  
P.O. Box 249  
140 Orion Place  
Cambridge, Ontario  
Canada N1R 5V1  
Tel: (519) 621-5520  
Fax: (519) 621-8674  
http://www.cambridgebrass.com

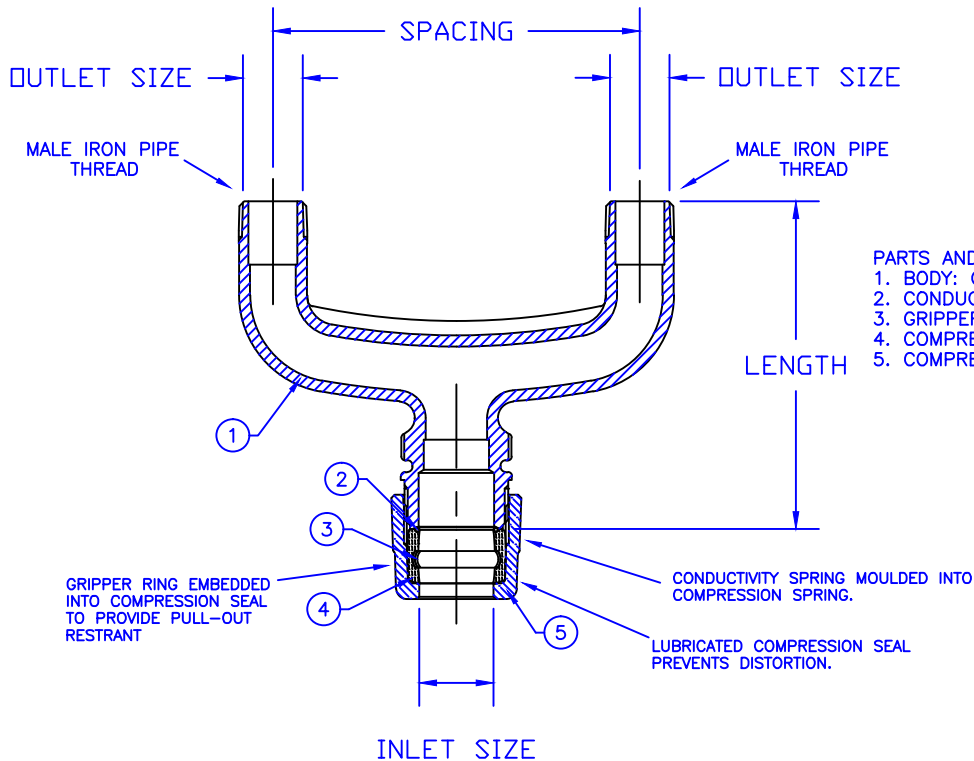


MODEL NO. 172NL

CB COMPRESSION x M.I.P. x M.I.P.

U-BRANCH, NO LEAD

CB COMPRESSION JOINT FOR COPPER OR PLASTIC TUBING (CTS) INLET BY MALE IRON PIPE THREAD OUTLETS



- PARTS AND MATERIAL:
1. BODY: CAST BRASS, NO LEAD ALLOY C89833
  2. CONDUCTOR SPRING: BRASS
  3. GRIPPER: STAINLESS STEEL, ALLOY 302
  4. COMPRESSION SEAL: EPDM
  5. COMPRESSION NUT: CAST BRASS, ALLOY C83600

- FEATURES:
- CONFORMS TO AWWA C800 (ASTM B584 UNS C89833 FOR BRASS PARTS IN CONTACT WITH POTABLE WATER)
  - CONFORMS TO ANSI/NSF 61-8
  - CONFORMS TO ANSI/NSF 372 (COMPLIANT WITH US Safe Drinking Water Act. PL 111-380)
  - BODY AND NUTS PROVIDE WRENCH FLATS FOR INSTALLATION
  - 300PSI WORKING PRESSURE

Cambridge Brass considers the information in this submittal form to be correct at the time of publication. Item and option availability, including specifications, are subject to change without notice.

CATALOG NO.	INLET SIZE CB COMPRESSION	OUTLET SIZE MALE IRON PIPE	SPACING	LENGTH	APPROX. WT. LBS.
172NL-H4M3	1"	3/4"	5.62"	5.02"	3.3
172NL-H4M36500	1"	3/4"	6.50"	3.91"	3.0
172NL-H4M37500	1"	3/4"	7.50"	3.96"	3.2
172NL-H6M4	1 1/2"	1"	7.50"	4.25"	6.0
172NL-H7M4	2"	1"	7.50"		

Submitted by: