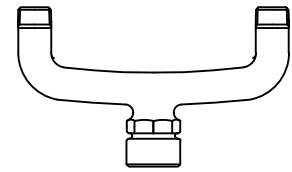


Cambridge Brass
 P.O. Box 249
 140 Orion Place
 Cambridge, Ontario
 Canada N1R 5V1
 Tel: (519) 621-5520
 Fax: (519) 621-8674
 http://www.cambridgebrass.com

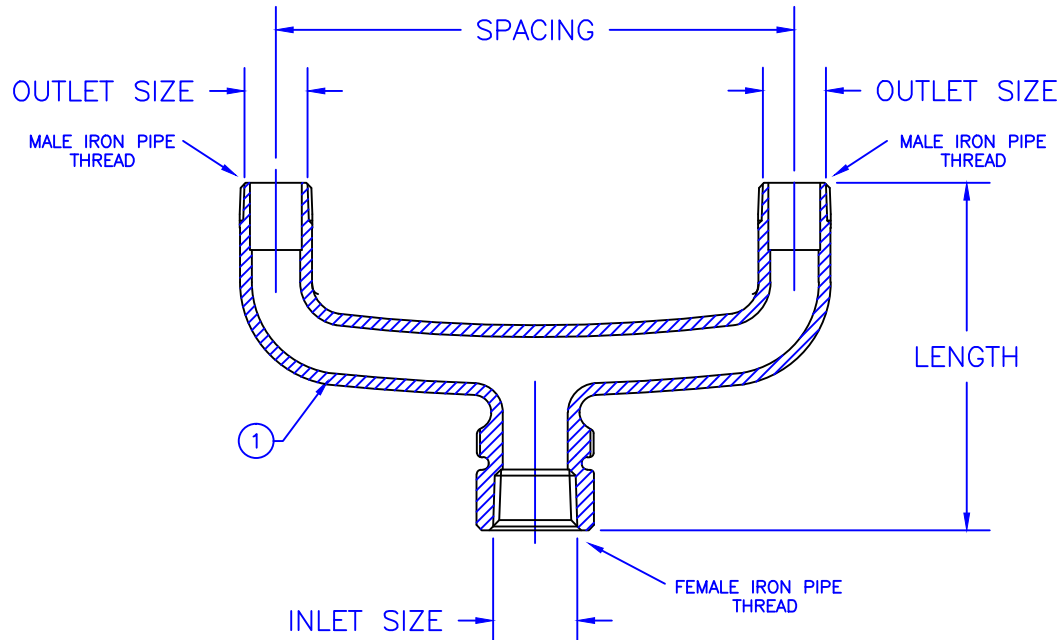


MODEL NO. 172NL

F.I.P. x M.I.P. x M.I.P.

U-BRANCH

FEMALE IRON PIPE INLET BY MALE IRON PIPE THREAD OUTLETS



PARTS AND MATERIAL:
 1. BODY: CAST BRASS, ALLOY C89833

FEATURES:

- CONFORMS TO AWWA C800 (ASTM B584 UNS C89833 FOR ALL BRASS PARTS IN CONTACT WITH POTABLE WATER)
- CONFORMS TO ANSI/NSF 61-8
- CONFORMS TO ANSI/NSF 372 (COMPLIANT WITH US Safe Drinking Water Act. PL 111-380)
- 300PSI WORKING PRESSURE

Cambridge Brass considers the information in this submittal form to be correct at the time of publication. Item and option availability, including specifications, are subject to change without notice.

CATALOG NO.	INLET SIZE FEMALE IRON PIPE	OUTLET SIZE MALE IRON PIPE	SPACING	LENGTH	APPROX. WT. LBS.
172NL-F4M36500	1"	3/4"	6.50"	3.91"	2.8
172NL-F4M37500	1"	3/4"	7.50"	3.93"	2.0

Submitted by: