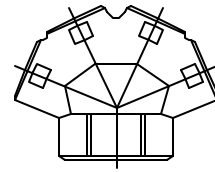


Cambridge Brass
P.O. Box 249
140 Orion Place
Cambridge, Ontario
Canada N1R 5V1
Tel: (519) 621-5520
Fax: (519) 621-8674
http://www.cambridgebrass.com

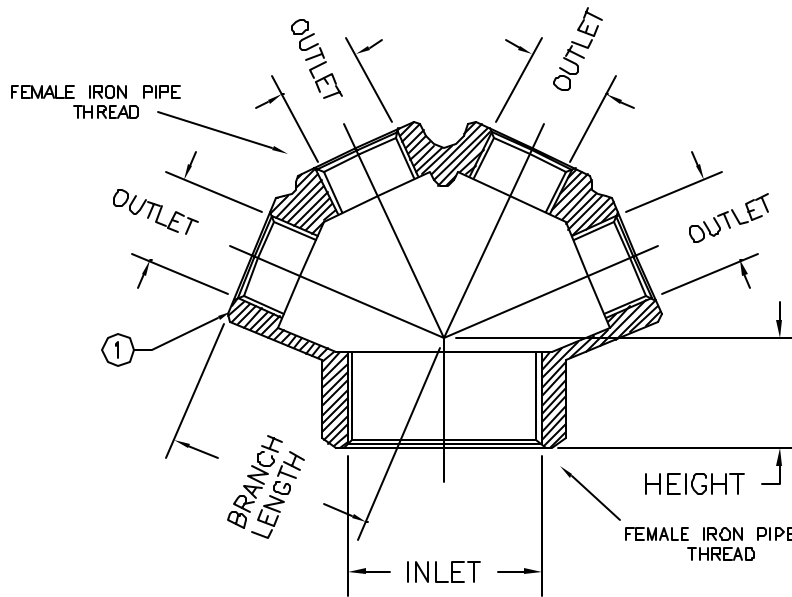


MODEL NO. 155

FEMALE IRON PIPE

MULTI-SERVICE "Y"

FOR THREADED PIPE



PARTS AND MATERIAL:
1. BODY: CAST BRASS, ALLOY C8360D

FEATURES:
- MANUFACTURED IN COMPLIANCE WITH AWWA STANDARD C800-05 (ASTM B-62 AND ASTM B-584, UNS NO. C83600-85-5-5-5).
- BODY PROVIDES WRENCH LUGS FOR PROPER INSTALLATION.

Cambridge Brass considers the information in this submittal form to be correct at the time of publication. Item and option availability, including specifications, are subject to change without notice.

CATALOG NO.	INLET SIZE FEMALE IRON PIPE	OUTLET SIZE FEMALE IRON PIPE	HEIGHT	BRANCH LENGTH	APPROX. WT. LBS.
155-F7F4	2"	1"	1.25"	2.43"	2.4

Submitted by: