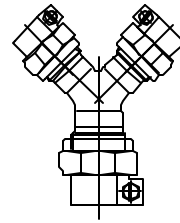


Cambridge Brass
P.O. Box 249
140 Orion Place
Cambridge, Ontario
Canada N1R 5V1
Tel: (519) 621-5520
Fax: (519) 621-8674
http://www.cambridgebrass.com

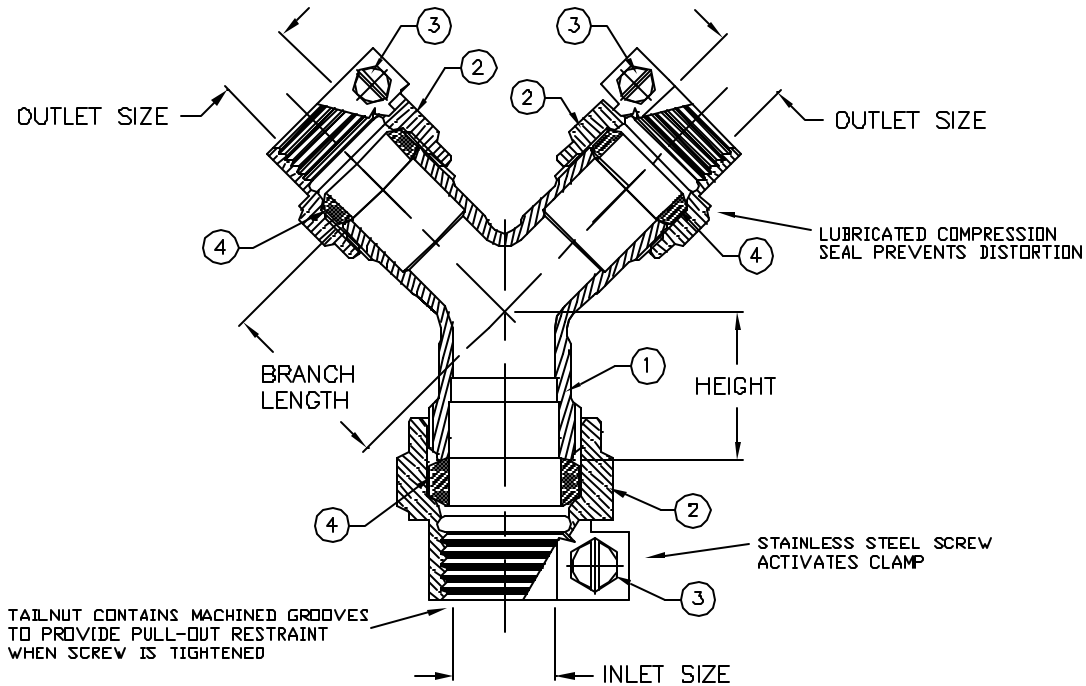


MODEL NO. 152NL

CAMPAK x CAMPAK x CAMPAK

WYE – BRANCH

FOR COPPER OR PLASTIC (CTS) TUBING



- PARTS AND MATERIAL:
1. BODY: CAST BRASS, ALLOY CB9833
 2. CAMPAK NUT: CAST BRASS, ALLOY CB3600
 3. SCREW: STAINLESS STEEL, TYPE 304
 4. COMPRESSION SEAL: NITRILE RUBBER

FEATURES:

- ALL COMPONENTS CONFORM TO AWWA 800-05 (ASTM B-584 UNS NO C89833 FOR BRASS PARTS IN CONTACT WITH POTABLE WATER, AND ASTM B-62 AND B-584 UNS NO C83600 FOR ALL OTHER BRASS PARTS).
- CSA CLASSIFIED TO ANSI/NSF STANDARD 61-8.

Cambridge Brass considers the information in this submittal form to be correct at the time of publication. Item and option availability, including specifications, are subject to change without notice.

WYE – BRANCH SIZE	CATALOG NO.	INLET SIZE CAMPAK	OUTLET SIZE CAMPAK	LENGTH	BRANCH LENGTH	APPROX. WT. LBS.
1 x 3/4 x 3/4	152NL-B4B3	1"	3/4"	1.56"	1.83"	2.0
1 1/2 x 1 x 1	152NL-B6B4	1 1/2"	1"	1.44"	2.75"	3.9
1 x 3/4 x 3/4	152NL-B4B3	2"	1"	1.44"	2.75"	4.6

Submitted by: