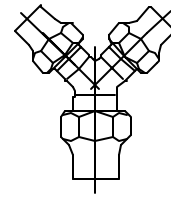


Cambridge Brass  
P.O. Box 249  
140 Orion Place  
Cambridge, Ontario  
Canada N1R 5V1  
Tel: (519) 621-5520  
Fax: (519) 621-8674  
http://www.cambridgebrass.com

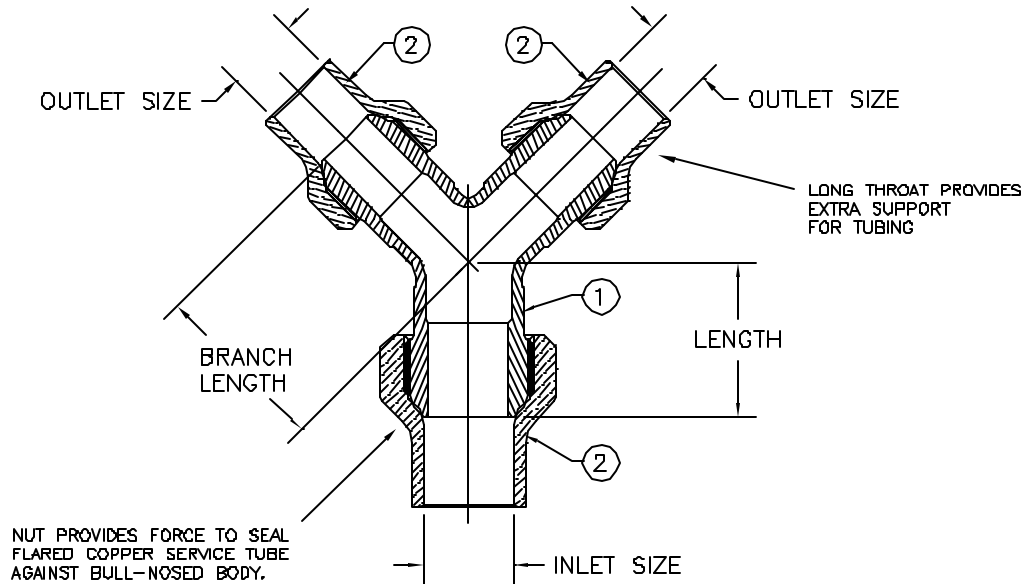


MODEL NO. 152

COPPER FLARE x COPPER FLARE  
x COPPER FLARE

WYE — BRANCH

FOR COPPER TUBING



- PARTS AND MATERIAL:
1. BODY: CAST BRASS, ALLOY CB3600
  2. TAILNUT: CAST BRASS, ALLOY CB3600

FEATURES:

- MANUFACTURED IN COMPLIANCE WITH AWWA STANDARD C800-05 (ASTM B-62 AND ASTM B-584, UNS NO C83600-85-5-5-5).
- CSA CLASSIFIED TO ANSI/NSF STANDARD 61-8.

Cambridge Brass considers the information in this submittal form to be correct at the time of publication. Item and option availability, including specifications, are subject to change without notice.

SIZE	CATALOG NO.	INLET SIZE C.F.	OUTLET SIZE C.F.	LENGTH	BRANCH LENGTH	APPROX. WT. LBS.
1 x 3/4 x 3/4	152-C4C3	1"	3/4"	1.93"	2.18"	2.4

Submitted by: