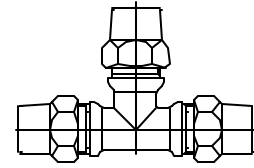


Cambridge Brass  
 P.O. Box 249  
 140 Orion Place  
 Cambridge, Ontario  
 Canada N1R 5V1  
 Tel: (519) 621-5520  
 Fax: (519) 621-8674  
 http://www.cambridgebrass.com

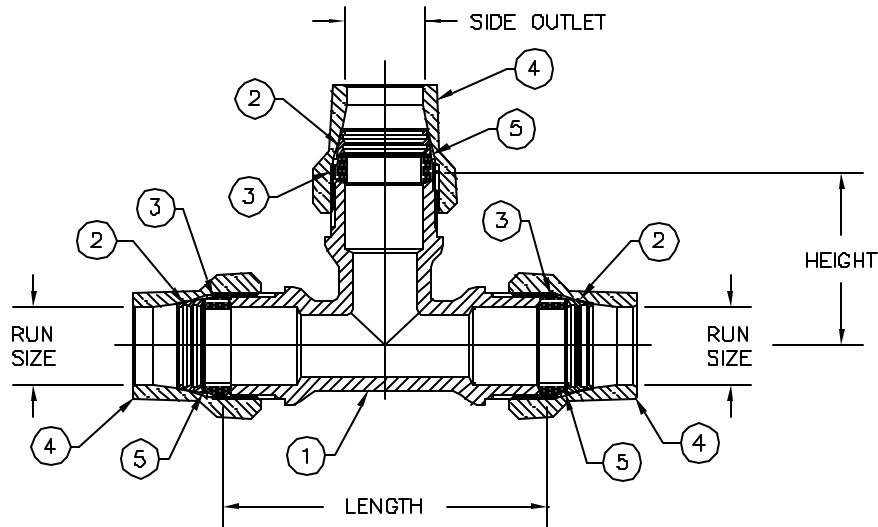


MODEL NO. 150

GRIP JOINT x GRIP JOINT x GRIP JOINT

SERVICE TEE

FOR COPPER OR PLASTIC (CTS) TUBING



**PARTS AND MATERIAL:**

- 1. TEE BODY: CAST BRASS, ALLOY C83600
- 2. GRIPPER: BRASS, ALLOY C26000
- 3. GASKET: NITRILE RUBBER
- 4. COMPRESSION NUT: CAST BRASS, ALLOY C83600
- 5. WASHER: POLYETHYLENE

**FEATURES:**

- MANUFACTURED IN COMPLIANCE WITH AWWA STANDARD C800-05 (ASTM B-62 AND ASTM B-584, UNS NO C83600-85-5-5-5).
- CSA CLASSIFIED TO ANSI/NSF STANDARD 61-8.

Cambridge Brass considers the information in this submittal form to be correct at the time of publication. Item and option availability, including specifications, are subject to change without notice.

TEE SIZE	CATALOG NO.	RUN GRIP JOINT (BOTH ENDS)	SIDE OUTLET GRIP JOINT	LENGTH	HEIGHT	APPROX. WT. LBS.
3/4" x 3/4" x 3/4"	150-GJ3GJ3	3/4"	3/4"	3.66	1.94	1.9
3/4" x 3/4" x 1"	150-GJ3GJ4	3/4"	1"	3.66	1.94"	2.3
1" x 1" x 1"	150-GJ4GJ4	1"	1"	5.10	2.54	3.2

Submitted by: