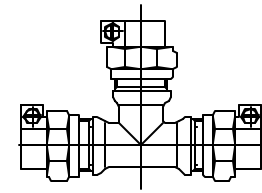


Cambridge Brass  
P.O. Box 249  
140 Orion Place  
Cambridge, Ontario  
Canada N1R 5V1  
Tel: (519) 621-5520  
Fax: (519) 621-8674  
http://www.cambridgebrass.com

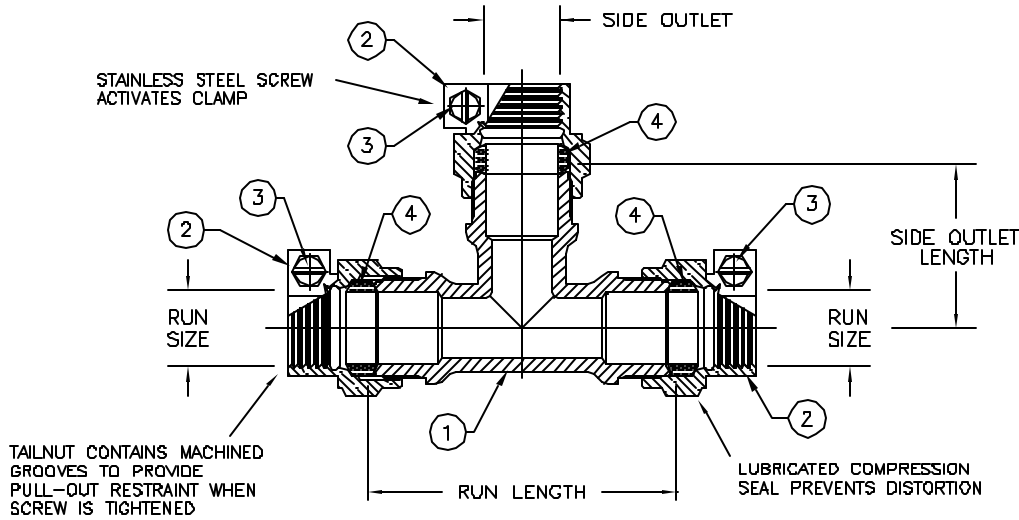


MODEL NO. 150

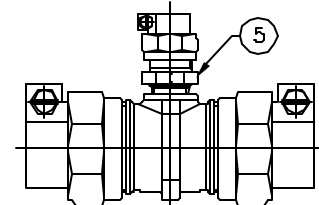
CAMPAK x CAMPAK x CAMPAK

SERVICE TEE

FOR COPPER OR PLASTIC (CTS) TUBING



- PARTS AND MATERIAL:
1. TEE BODY: CAST BRASS, ALLOY C83600
  2. COMPRESSION NUT: CAST BRASS, ALLOY C83600
  3. SCREW: STAINLESS STEEL, ALLOY 304
  4. COMPRESSION SEAL: NITRILE RUBBER
  5. ADAPTER: CAST BRASS, ALLOY C83600



1 1/2" x 1 1/2" x 3/4" CONFIGURATION  
2" x 2" x 3/4" CONFIGURATION  
2" x 2" x 1" CONFIGURATION

**FEATURES:**

- MANUFACTURED IN COMPLIANCE WITH AWWA STANDARD C800-05 (ASTM B-62 AND ASTM B-584, UNS NO C83600-85-5-5-5).
- <X> CSA CLASSIFIED TO ANSI/NSF STANDARD 61-8.

Cambridge Brass considers the information in this submittal form to be correct at the time of publication. Item and option availability, including specifications, are subject to change without notice.

TEE SIZE	CATALOG No.	RUN SIZE (BOTH ENDS)	SIDE OUTLET	RUN LENGTH	SIDE OUTLET LENGTH	APPROX. WT. LBS.	CLASSIFIED NSF 61-8
3/4" x 3/4" x 3/4"	150-B3B3	3/4"	3/4"	3.66"	1.94"	1.9	X
3/4" x 3/4" x 1"	150-B3B4	3/4"	1"	3.66"	1.94"	2.3	X
1" x 1" x 1"	150-B4B4	1"	1"	5.10"	2.54"	3.2	X
1 1/2" x 1 1/2" x 3/4"	150-B6B3	1 1/2"	3/4"	3.40"	1.42"	4.1	X
2" x 2" x 3/4"	150-B7B3	2"	3/4"	4.16"	2.65"	5.6	
2" x 2" x 1"	150-B7B4	2"	1"	4.15"	1.60"	5.8	
2" x 2" x 2"	150-B7B7	2"	2"	7.38"	3.69"	7.0	

Submitted by: