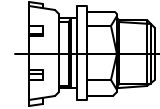


Cambridge Brass
P.O. Box 249
140 Orion Place
Cambridge, Ontario
Canada N1R 5V1
Tel: (519) 621-5520
Fax: (519) 621-8674
http://www.cambridgebrass.com

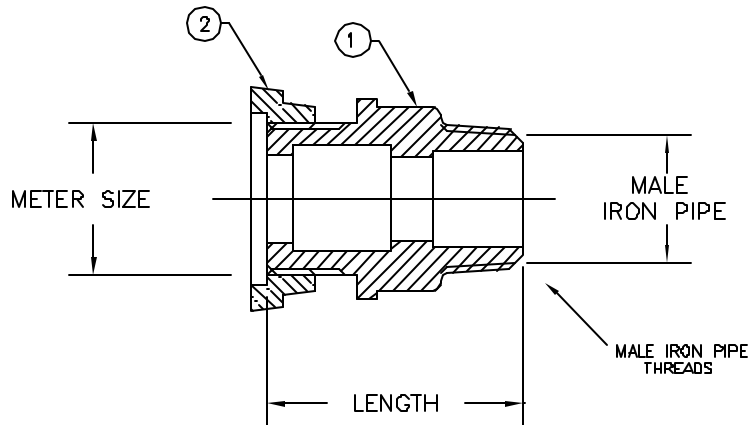


MODEL NO. 117

METER YOKE NOSE x
MALE IRON PIPE

ADAPTOR

FOR METER YOKE NOSE x THREADED PIPE



PARTS AND MATERIAL:
1. BODY: CAST BRASS, ALLOY C83600
2. STAR NUT: CAST BRASS, ALLOY C83600

FEATURES:
- MANUFACTURED IN COMPLIANCE WITH AWWA STANDARD C800-D5 (ASTM B-62 AND ASTM B-584, UNS NO C83600-85-5-5-5).
- CSA CLASSIFIED TO ANSI/NSF STANDARD 61-8.
- BODY PROVIDES LARGE, RUGGED WRENCH FLATS FOR PROPER INSTALLATION.
- MAY BE USED ON EITHER END OF THE YOKE.

Cambridge Brass considers the information in this submittal form to be correct at the time of publication. Item and option availability, including specifications, are subject to change without notice.

CATALOG NO.	METER SIZE	MALE IRON PIPE	LENGTH	APPROX. WT. LBS.
117-SR1M3	5/8"	3/4"	2.00"	
117-SR3M3	5/8"x3/4" & 3/4"	3/4"	2.00"	
117-SR4M4	1"	1"	2.58"	

Submitted by: