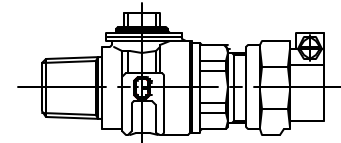


Cambridge Brass
 P.O. Box 249
 140 Orion Place
 Cambridge, Ontario
 Canada N1R 5V1
 Tel: (519) 621-5520
 Fax: (519) 621-8674
 http://www.cambridgebrass.com

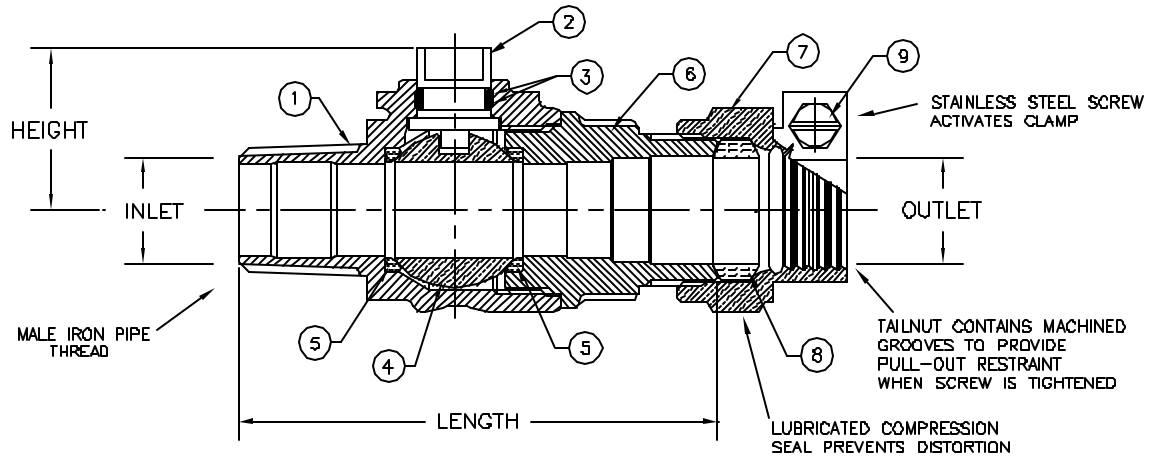


MODEL NO. 301NL

MALE IRON PIPE x CAMPAK

CORPORATION MAIN STOP
 BALL STYLE

MALE IRON PIPE THREAD INLET BY CAMPAK FOR COPPER OR PLASTIC TUBING (CTS) OUTLET



PARTS AND MATERIAL:

1. VALVE BODY: CAST BRASS, ALLOY C89833
2. STEM: STAINLESS STEEL, TYPE 303
3. O-RING: NITRILE RUBBER
4. BALL: CAST BRASS, ALLOY C89833
5. SEATS: TEFLON
6. ENDBODY: CAST BRASS, ALLOY C89833
7. CAMPAK NUT: CAST BRASS, ALLOY C83600
8. COMPRESSION SEAL: NITRILE RUBBER
9. SCREW: STAINLESS STEEL, ALLOY 304

FEATURES:

- ALL COMPONENTS CONFORM TO AWWA STANDARD C800-05 (ASTM B-584, UNS NO C89833 FOR BRASS PARTS IN CONTACT WITH POTABLE WATER, AND ASTM B-62 AND B-584, UNS NO C83600 FOR ALL OTHER BRASS PARTS).
- CSA CLASSIFIED TO ANSI/NSF STANDARD 61-8.
- BLOWOUT PROOF DESIGN.
- 300 PSI WORKING PRESSURE.
- BODY PROVIDES LARGE, RUGGED FLATS FOR PROPER INSTALLATION.
- FULL 360 DEGREE ROTATION.

Cambridge Brass considers the information in this submittal form to be correct at the time of publication. Item and option availability, including specifications, are subject to change without notice.

VALVE SIZE	CATALOG NO.	INLET M.I.P.	OUTLET CAMPAK	LENGTH	HEIGHT	APPROX. WT. LBS.
3/4"	301NL-M3B3	3/4"	3/4"	3.96"	1.33"	1.8
1"	301NL-M4B4	1"	1"	4.59"	1.51"	2.7
1 1/2"	301NL-M6B6	1 1/2"	1 1/2"	6.49"	2.17"	7.6
1 1/2"	301NL-M6B7	1 1/2"	2"	6.53"	2.17"	
2"	301NL-M7B7	2"	2"	6.83"	2.47"	

Submitted by: