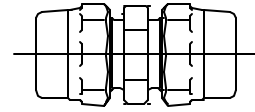


Cambridge Brass
P.O. Box 249
140 Orion Place
Cambridge, Ontario
Canada N1R 5V1
Tel: (519) 621-5520
Fax: (519) 621-8674
http://www.cambridgebrass.com

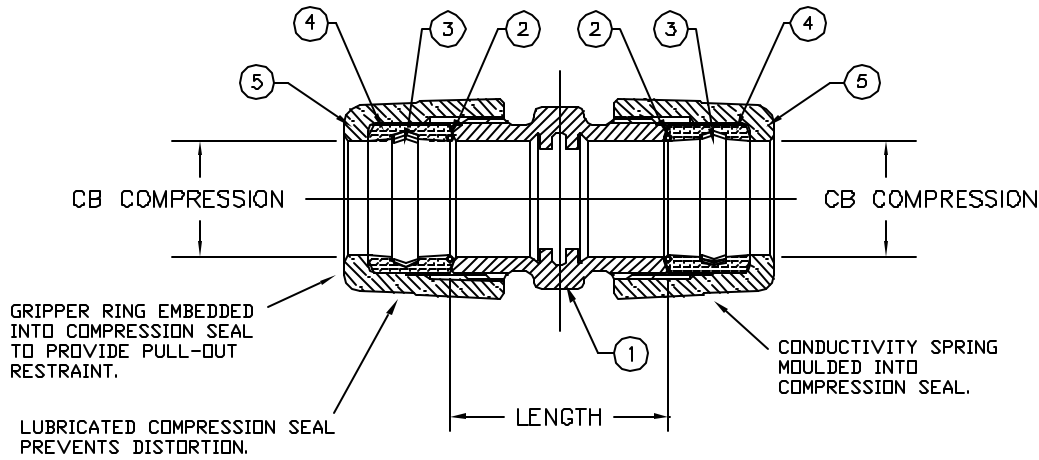


MODEL NO. 118NL

CB COMPRESSION x CB COMPRESSION

COUPLING

FOR COPPER OR PLASTIC TUBING (CTS)



PARTS AND MATERIAL:

1. COUPLING BODY: CAST BRASS, ALLOY C89833
2. CONDUCTOR SPRING: BRASS
3. GRIPPER: STAINLESS STEEL, TYPE 302
4. COMPRESSION SEAL: NITRILE RUBBER
5. COMPRESSION NUT: CAST BRASS, ALLOY C83600

FEATURES:

- MANUFACTURED IN COMPLIANCE WITH AWWA STANDARD C800-05 (ASTM B-584, UNS NO C89833).
- CSA CLASSIFIED TO ANSI/NSF STANDARD 61-B.
- BODY DESIGN PROVIDES LARGE, RUGGED WRENCH FLATES FOR PROPER INSTALLATION.
- BODY PROVIDES INTERNAL TUBE STOP.

Cambridge Brass considers the information in this submittal form to be correct at the time of publication. Item and option availability, including specifications, are subject to change without notice.

CATALOG NO.	CB COMPRESSION	CB COMPRESSION	LENGTH	APPROX. WT. LBS.
118NL-H3H3	3/4"	3/4"	1.70"	1.0
118NL-H4H3	1"	3/4"	2.10"	1.5
118NL-H4H4	1"	1"	2.00"	1.7
118NL-H5H5	1 1/4"	1 1/4"	3.07"	3.7
118NL-H6H6	1 1/2"	1 1/2"	2.78"	3.1
118NL-H7H7	2"	2"	3.04"	4.0

Submitted by: