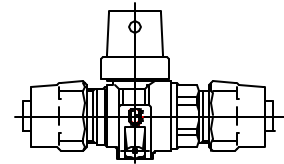


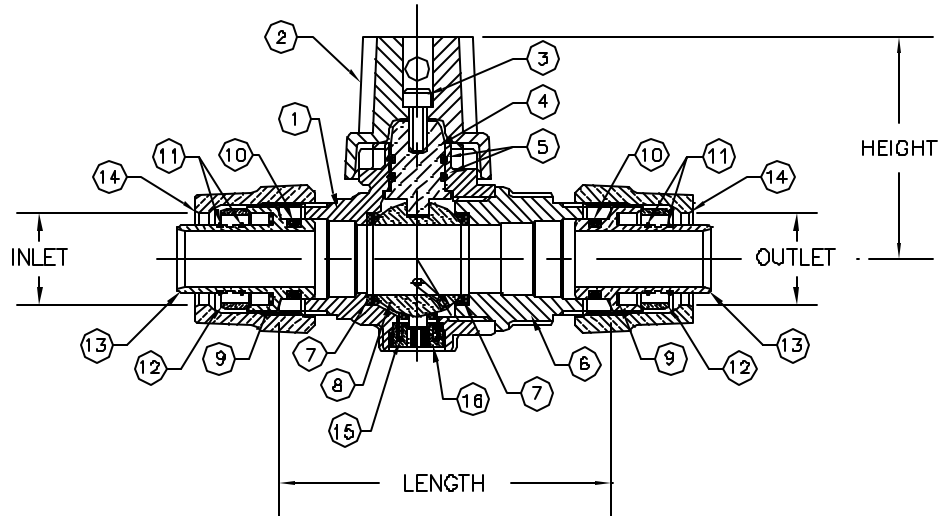
Cambridge Brass  
P.O. Box 249  
140 Orion Place  
Cambridge, Ontario  
Canada N1R 5V1  
Tel: (519) 621-5520  
Fax: (519) 621-8674  
http://www.cambridgebrass.com



MODEL NO. 203NL

KITEC x KITEC

CURB STOP – BALL STYLE  
DRAINING



- PARTS AND MATERIAL:**
1. VALVE BODY: CAST BRASS, ALLOY C89833
  2. CAP: CAST BRASS, ALLOY C83600
  3. CAP SCREW: STAINLESS STEEL, TYPE 304
  4. STEM: STAINLESS STEEL, TYPE 303
  5. O-RING: NITRILE RUBBER
  6. ENDBODY: CAST BRASS, ALLOY C89833
  7. SEATS: TEFLON
  8. BALL: CAST BRASS, ALLOY C89833
  9. INSULATOR: POLYETHYLENE
  10. O-RING: NITRILE RUBBER
  11. O-RING: NITRILE RUBBER
  12. GRIPPER: BRASS, ALLOY C28000
  13. INSERT: COPPER, ALLOY C23000
  14. KITEC NUT: CAST BRASS, ALLOY C83600
  15. DRAIN SEAL: NITRILE RUBBER
  16. DRAIN PLUG: COPPER, ALLOY C36000

- FEATURES:**
- MANUFACTURED IN COMPLIANCE WITH AWWA STANDARD C800-05 (ASTM B584, UNS NO C89833).
  - CSA CLASSIFIED TO ANSI/NSF STANDARD 61-8.
  - ROTATION STOPS RESISTS 200 FT-LB TORQUE.
  - ENCAPSULATED LUGS UNDER CAP PROVIDE 90 DEGREE OPEN TO CLOSE OPERATION.
  - HOLE FOR ATTACHING CURB BOX ROD OR HANDLE IS PROVIDED IN CAP.
  - BLOWOUT PROOF DESIGN.
  - 300 PSI WORKING PRESSURE.
  - VALVES ARE DIRECTIONAL (FLOW DIRECTION ARROWS PROVIDED ON BODY).

**ORDERING INFORMATION:**  
FULL 360 ROTATION = ADD "R" TO END OF CATALOG NO.  
HANDLE = ADD "H" TO END OF CATALOG NO.

Cambridge Brass considers the information in this submittal form to be correct at the time of publication. Item and option availability, including specifications, are subject to change without notice.

VALVE SIZE	CATALOG NO.	INLET KITEC	OUTLET KITEC	LENGTH	HEIGHT	APPROX. WT. LBS.
3/4"	203NL-K3K3	3/4"	3/4"	3.75"	2.50"	2.7
1"	203NL-K4K4	1"	1"	4.42"	2.68"	4.2

Submitted by: