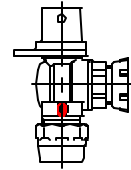


Cambridge Brass  
P.O. Box 249  
140 Orion Place  
Cambridge, Ontario  
Canada N1R 5V1  
Tel: (519) 621-5520  
Fax: (519) 621-8674  
http://www.cambridgebrass.com



MODEL NO. 210

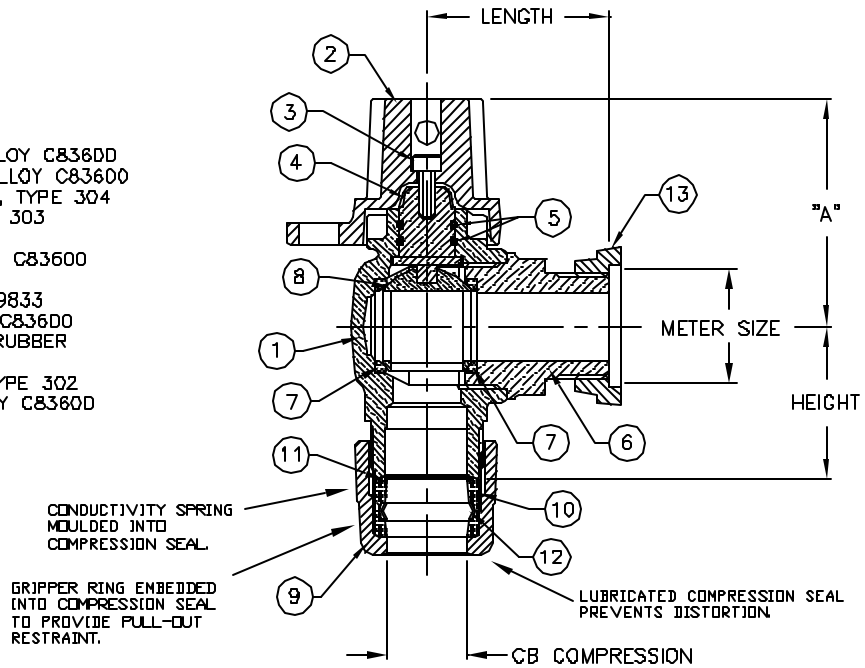
CB COMPRESSION x  
METER YOKE NOSE

ANGLE YOKE STYLE BALL VALVE  
FULL PORT WITH LOCKWING

FOR COPPER OR PLASTIC TUBING (CTS) x METER YOKE NOSE

**PARTS AND MATERIAL:**

1. VALVE BODY: CAST BRASS, ALLOY C836DD
2. LOCKING CAP: CAST BRASS, ALLOY C83600
3. CAP SCREW: STAINLESS STEEL, TYPE 304
4. STEM: STAINLESS STEEL, TYPE 303
5. O-RING: NITRILE RUBBER
6. ENDBODY: CAST BRASS, ALLOY C83600
7. SEATS: TEFLON
8. BALL: CAST BRASS, ALLOY C89833
9. TAILNUT: CAST BRASS, ALLOY C836DD
10. COMPRESSION SEAL: NITRILE RUBBER
11. CONDUCTOR SPRING: BRASS
12. GRIPPER: STAINLESS STEEL, TYPE 302
13. STAR NUT: CAST BRASS, ALLOY C8360D



- FEATURES:**
- MANUFACTURED IN COMPLIANCE WITH AWWA STANDARD C800-05 (ASTM B-62 AND ASTM B-584, UNS NO C83600-85-5-5).
  - CSA CLASSIFIED TO ANSI/NSF STANDARD 61-8.
  - FLOW CAN BE IN EITHER DIRECTION.
  - ROTATION STOPS RESISTS 200 FT-LB TORQUE.
  - ENCAPSULATED LUGS UNDER CAP PROVIDE 90 DEGREE OPEN TO CLOSE OPERATION.
  - BLOWOUT PROOF DESIGN.
  - 300 PSI WORKING PRESSURE.
  - HOLE FOR ATTACHING HANDLE IS PROVIDED IN CAP.
  - PADLOCK WING FOR LOCKING BALL IN CLOSED POSITION.

**ORDERING INFORMATION:**  
FULL 360 ROTATION - ADD "R" TO END OF CATALOG NO.  
HANDLE = ADD "H" TO END OF CATALOG NO.

Cambridge Brass considers the information in this submittal form to be correct at the time of publication. Item and option availability, including specifications, are subject to change without notice.

VALVE SIZE	CATALOG NO.	CB COMP.	METER SIZE	HEIGHT	LENGTH	"A"	APPROX. WT. LBS.
3/4"	210-H3SR1	3/4"	5/8"	1.69"	2.00"	2.50"	2.3
3/4"	210-H3SR3	3/4"	5/8"x3/4" & 3/4"	1.69"	2.00"	2.50"	2.3
1"	210-H4SR3	1"	5/8"x3/4" & 3/4"	1.97"	2.08"	2.50"	3.1
1"	210-H4SR4	1"	1"	1.97"	2.53"	2.68"	3.5

Submitted by: