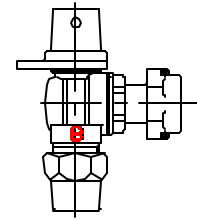


Cambridge Brass  
 P.O. Box 249  
 140 Orion Place  
 Cambridge, Ontario  
 Canada N1R 5V1  
 Tel: (519) 621-5520  
 Fax: (519) 621-8674  
 http://www.cambridgebrass.com



MODEL NO. 210

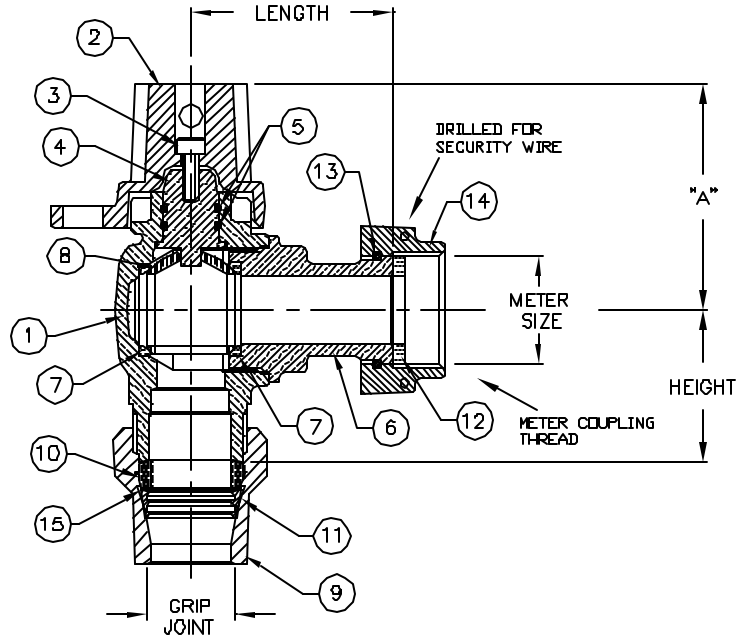
GRIP JOINT x  
 METER SWIVEL NUT

ANGLE METER VALVE – BALL STYLE  
 FULL PORT WITH LOCKWING

FOR COPPER OR PLASTIC TUBING (CTS) x METER SPUD

**PARTS AND MATERIAL:**

1. VALVE BODY: CAST BRASS, ALLOY C83600
2. LOCKING CAP: CAST BRASS, ALLOY C83600
3. CAP SCREW: STAINLESS STEEL, TYPE 304
4. STEM: STAINLESS STEEL, TYPE 303
5. O-RING: NITRILE RUBBER
6. ENDBODY: CAST BRASS, ALLOY C83600
7. SEATS: TEFLON
8. BALL: CAST BRASS, ALLOY C89833
9. TAILNUT: CAST BRASS, ALLOY C83600
10. GASKET: NITRILE RUBBER
11. GRIPPER: BRASS, ALLOY C26000
12. SEALING WASHER: NITRILE RUBBER
13. RETAINER RING: PHOSPHOR BRONZE WIRE
14. METER SWIVEL NUT: CAST BRASS, ALLOY C84400
15. WASHER: POLYETHYLENE



**FEATURES:**

- MANUFACTURED IN COMPLIANCE WITH AWWA STANDARD C800-05 (ASTM B-62 AND ASTM B-584, UNS NO C83600-85-5-5-5).
- CSA CLASSIFIED TO ANSI/NSF STANDARD 61-8.
- FLOW CAN BE IN EITHER DIRECTION.
- ROTATION STOPS RESISTS 200 FT-LB TORQUE.
- ENCAPSULATED LUGS UNDER CAP PROVIDE 90 DEGREE OPEN TO CLOSE OPERATION.
- BLOWOUT PROOF DESIGN.
- 300 PSI WORKING PRESSURE.
- HOLE FOR ATTACHING HANDLE IS PROVIDED IN CAP.
- PADLOCK WING FOR LOCKING VALVE IN CLOSED POSITION.
- METER THREADS CONFORM TO AWWA C700.

**ORDERING INFORMATION:**

FULL 360 ROTATION = ADD "R" TO END OF CATALOG NO.  
 HANDLE = ADD "H" TO END OF CATALOG NO.

Cambridge Brass considers the information in this submittal form to be correct at the time of publication. Item and option availability, including specifications, are subject to change without notice.

VALVE SIZE	CATALOG No.	GRIP JOINT	METER SIZE	HEIGHT	LENGTH	"A"	APPROX. WT. LBS.
3/4"	210-GJ3T3	3/4"	5/8"x3/4" & 3/4"	1.69"	2.25"	2.50"	2.3
3/4"	210-GJ4T3	1"	5/8"x3/4" & 3/4"	2.17"	2.25"	2.50"	
1"	210-GJ4T4	1"	1"	1.97"	2.81"	2.68"	

Submitted by: