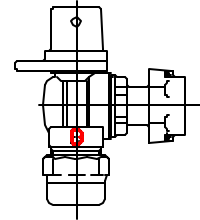


Cambridge Brass  
P.O. Box 249  
140 Orion Place  
Cambridge, Ontario  
Canada N1R 5V1  
Tel: (519) 621-5520  
Fax: (519) 621-8674  
http://www.cambridgebrass.com



MODEL NO. 210

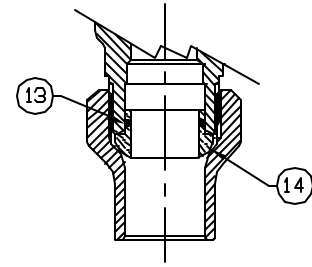
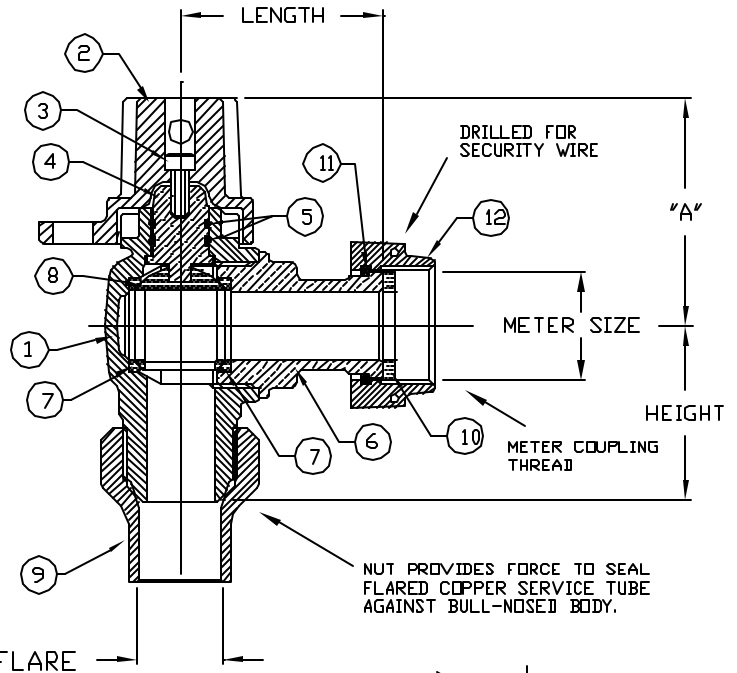
COPPER FLARE x  
METER SWIVEL NUT

ANGLE METER VALVE - BALL STYLE  
FULL PORT WITH LOCKWING

FOR COPPER TUBE x METER SPUD

**PARTS AND MATERIAL:**

1. VALVE BODY: CAST BRASS, ALLOY C83600
2. LOCKING CAP: CAST BRASS, ALLOY C83600
3. CAP SCREW: STAINLESS STEEL, TYPE 304
4. STEM: STAINLESS STEEL, TYPE 303
5. O-RING: NITRILE RUBBER
6. ENDBODY: CAST BRASS, ALLOY C83600
7. SEATS: TEFLON
8. BALL: CAST BRASS, ALLOY C89833
9. TAILNUT: CAST BRASS, ALLOY C83600
10. SEALING WASHER: NITRILE RUBBER
11. RETAINER RING: PHOSPHOR BRONZE WIRE
12. METER SWIVEL NUT: CAST BRASS, ALLOY C84400
13. O-RING: NITRILE RUBBER
14. ADAPTER: BRASS, ALLOY C83600



210-C4T4

**FEATURES:**

- MANUFACTURED IN COMPLIANCE WITH AWWA STANDARD C800-05 (ASTM B-62 AND ASTM B-584, UNS NO C83600-85-5-5-5).
- CSA CLASSIFIED TO ANSI/NSF STANDARD 61-8.
- FLOW CAN BE IN EITHER DIRECTION.
- ROTATION STOPS RESISTS 200 FT-LB TORQUE.
- ENCAPSULATED LUGS UNDER CAP PROVIDE 90 DEGREE OPEN TO CLOSE OPERATION.
- BLOWOUT PROOF DESIGN.
- 300 PSI WORKING PRESSURE.
- HOLE FOR ATTACHING HANDLE IS PROVIDED IN CAP.
- PADLOCK WING FOR LOCKING VALVE IN CLOSED POSITION.
- METER THREAD CONFORMS TO AWWA C700.

**ORDERING INFORMATION:**  
FULL 360 ROTATION - ADD "R" TO END OF CATALOG NO.  
HANDLE = ADD "H" TO END OF CATALOG NO.

Cambridge Brass considers the information in this submittal form to be correct at the time of publication. Item and option availability, including specifications, are subject to change without notice.

VALVE SIZE	CATALOG NO.	C.F.	METER SIZE	HEIGHT	LENGTH	"A"	APPROX. WT. LBS.
3/4"	210-C3T3	3/4"	5/8"x3/4" & 3/4"	2.03"	2.25"	2.50"	2.5
3/4"	210-C4T3	1"	5/8"x3/4" & 3/4"	2.17"	2.25"	2.50"	2.9
1"	210-C4T4	1"	1"	2.32"	2.81"	2.68"	3.6

Submitted by: