

Cambridge Brass  
P.O. Box 249  
140 Orion Place  
Cambridge, Ontario  
Canada N1R 5V1  
Tel: (519) 621-5520  
Fax: (519) 621-8674  
http://www.cambridgebrass.com

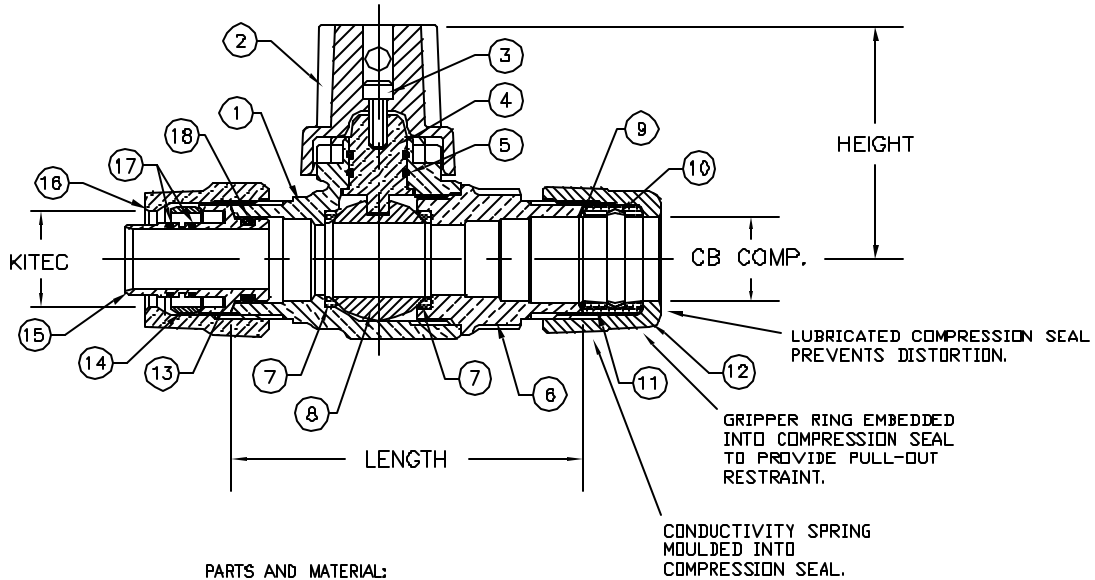


MODEL NO. 202

KITEC x CB COMPRESSION

CURB STOP – BALL STYLE

FOR KITEC TUBE x COPPER OR PLASTIC TUBING (CTS)



**PARTS AND MATERIAL:**

1. VALVE BODY: CAST BRASS, ALLOY C83600
2. CAP: CAST BRASS, ALLOY C83600
3. CAP SCREW: STAINLESS STEEL, TYPE 304
4. STEM: STAINLESS STEEL, TYPE 303
5. O-RING: NITRILE RUBBER
6. ENDBODY: CAST BRASS, ALLOY C83600
7. SEATS: TEFLON
8. BALL: CAST BRASS, ALLOY C89833
9. CONDUCTOR SPRING: BRASS
10. GRIPPER: STAINLESS STEEL, TYPE 302
11. COMPRESSION SEAL: NITRILE RUBBER
12. TAILNUT: CAST BRASS, ALLOY C83600
13. INSULATOR: POLYETHYLENE
14. GRIPPER: BRASS, ALLOY C26000
15. INSERT: COPPER, ALLOY C23000
16. KITEC NUT: CAST BRASS, ALLOY C83600
17. O-RING: NITRILE RUBBER
18. O-RING: NITRILE RUBBER

**FEATURES:**

- MANUFACTURED IN COMPLIANCE WITH AWWA STANDARD C800-05 (ASTM B-82 AND ASTM B-584, UNS NO C83600-85-5-5-5).
- CSA CLASSIFIED TO ANSI/NSF 81-B.
- FLOW CAN BE IN EITHER DIRECTION.
- ROTATION STOPS RESISTS 200 FT-LB TORQUE.
- ENCAPSULATED LUGS UNDER CAP PROVIDE 90 DEGREE OPEN TO CLOSE OPERATION.
- HOLE FOR ATTACHING CURB BOX ROD OR HANDLE IS PROVIDED IN CAP.
- BLOWOUT PROOF DESIGN.
- 300 PSI WORKING PRESSURE.

**ORDERING INFORMATION:**

- FULL 360 ROTATION - ADD "R" TO END OF CATALOG NO.
- HANDLE - ADD "H" TO END OF CATALOG NO.

Cambridge Brass considers the information in this submittal form to be correct at the time of publication. Item and option availability, including specifications, are subject to change without notice.

| VALVE SIZE | CATALOG NO. | KITEC | CB COMP. | LENGTH | HEIGHT | APPROX. WT. LBS. |
|------------|-------------|-------|----------|--------|--------|------------------|
| 3/4"       | 202-K3H3    | 3/4"  | 3/4"     | 3.75"  | 2.50"  | 2.6              |
| 1"         | 202-K4H4    | 1"    | 1"       | 4.42"  | 2.68"  | 4.0              |

Submitted by: