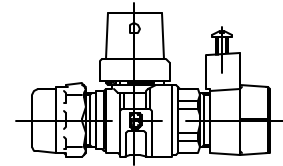


Cambridge Brass
P.O. Box 249
140 Orion Place
Cambridge, Ontario
Canada N1R 5V1
Tel: (519) 621-5520
Fax: (519) 621-8674
http://www.cambridgebrass.com

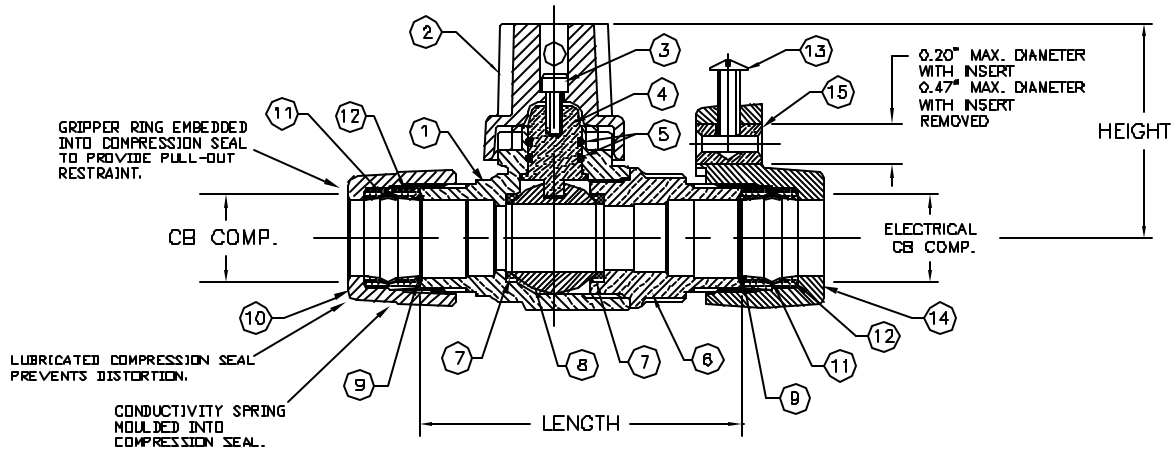


MODEL NO. 202

CB COMPRESSION x CB COMPRESSION ELECTRICAL

CURB STOP – BALL STYLE

FOR COPPER OR PLASTIC TUBING (CTS)



PARTS AND MATERIAL:

1. VALVE BODY: CAST BRASS, ALLOY C83600
2. CAP: CAST BRASS, ALLOY C83600
3. CAP SCREW: STAINLESS STEEL, TYPE 304
4. STEM: STAINLESS STEEL, TYPE 303
5. D-RING: NITRILE RUBBER
6. ENDBODY: CAST BRASS, ALLOY C83600
7. SEATS: TEFLON
8. BALL: CAST BRASS, ALLOY C89833
9. CONDUCTOR SPRING: BRASS
10. TAILNUT: CAST BRASS, ALLOY C83600
11. GRIPPER: STAINLESS STEEL, TYPE 302
12. COMPRESSION SEAL: NITRILE RUBBER
13. SCREW: SILICONE BRONZE
14. ELECTRICAL TAILNUT: CAST BRASS, ALLOY C83600
15. INSERT: COPPER, ALLOY C14500

FEATURES:

- MANUFACTURED IN COMPLIANCE WITH AWWA STANDARD C800-D9 (ASTM B-82 AND ASTM B584, UNS NO C83600-85-5-5-5).
- <X> CSA CLASSIFIED TO ANSI/NSF STANDARD 61-8.
- FLOW CAN BE IN EITHER DIRECTION.
- ROTATION STOPS RESISTS 200 FT-LB TORQUE.
- ENCAPSULATED LUGS UNDER CAP PROVIDE 90 DEGREE OPEN TO CLOSE OPERATION.
- HOLE FOR ATTACHING CURB BOX ROD OR HANDLE IS PROVIDED IN CAP.
- BLOWOUT PROOF DESIGN.
- 300 PSI WORKING PRESSURE.

ORDERING INFORMATION:

FULL 360 ROTATION - ADD "R" TO END OF CATALOG NO.
HANDLE - ADD "H" TO END OF CATALOG NO.

Cambridge Brass considers the information in this submittal form to be correct at the time of publication. Item and option availability, including specifications, are subject to change without notice.

VALVE SIZE	CATALOG NO.	CB COMP.	ELECTRICAL CB COMP.	LENGTH	HEIGHT	APPROX. WT. LBS.	CLASSIFIED NSF 61-8
3/4"	202-H3HE3	3/4"	3/4"	3.75"	2.50"	2.7	<X>
1"	202-H4HE4	1"	1"	4.42"	2.68"	4.0	<X>
1 1/2"	202-H6HE6	1 1/2"	1 1/2"	6.56"	3.31"	12.0	<X>
2"	202-H7HE7	2"	2"	6.83"	3.61"	13.5	

Submitted by: