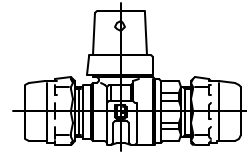


Cambridge Brass
P.O. Box 249
140 Orton Place
Cambridge, Ontario
Canada N1R 5V1
Tel: (519) 621-5520
Fax: (519) 621-8674
http://www.cambridgebrass.com

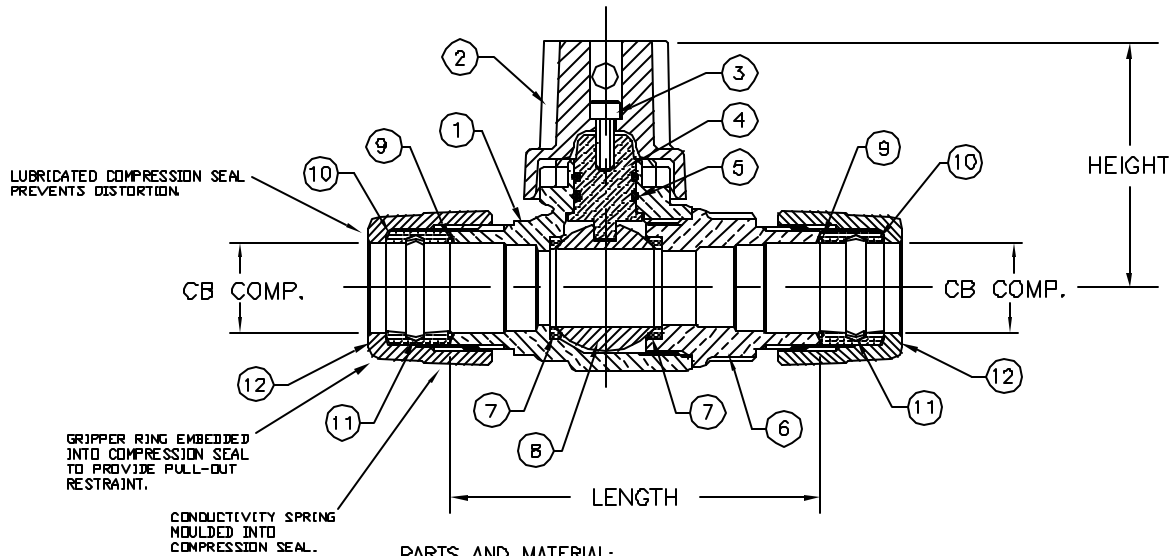


MODEL NO. 202

CB COMPRESSION x CB COMPRESSION

CURB STOP – BALL STYLE

FOR COPPER OR PLASTIC TUBING (CTS)



PARTS AND MATERIAL:
1. VALVE BODY: CAST BP

JUCTOR SPRING: BRASS
10. COMPRESSION SEAL: NITRILE RUBBER
11. GRIPPER: STAINLESS STEEL, TYPE 302
12. TAILNUT: CAST BRASS, ALLOY C83600

- FEATURES:
- MANUFACTURED IN COMPLIANCE WITH AWWA STANDARD C800-05 (ASTM B-62 AND ASTM B-584, UNS NO C83600-85-5-5-5).
 - <X> CAS CLASSIFIED TO ANSI/NSF STANDARD 61-8.
 - FLOW CAN BE IN EITHER DIRECTION.
 - ROTATION STOPS RESISTS 200 FT-LB TORQUE.
 - ENCAPSULATED LUGS UNDER CAP PROVIDE 90 DEGREE OPEN TO CLOSE OPERATION.
 - HOLE FOR ATTACHING CURB BOX ROD OR HANDLE IS PROVIDED IN CAP.
 - BLOWOUT PROOF DESIGN.
 - 300 PSI WORKING PRESSURE.

ORDERING INFORMATION:
FULL 360 ROTATION = ADD "R" TO END OF CATALOG NO.
HANDLE = ADD "H" TO END OF CATALOG NO.

Cambridge Brass considers the information in this submittal form to be correct at the time of publication. Item and option availability, including specifications, are subject to change without notice.

VALVE SIZE	CATALOG NO.	CB COMP.	CB COMP.	LENGTH	HEIGHT	APPROX. WT. LBS.	CLASSIFIED NSF 61-8
3/4"	202-H3H3	3/4"	3/4"	3.75"	2.50"	2.5	<X>
1"	202-H4H4	1"	1"	4.42"	2.68"	3.9	<X>
1 1/4"	202-H5H5	1 1/4"	1 1/4"	6.56"	3.31"	9.8	<X>
1 1/2"	202-H6H6	1 1/2"	1 1/2"	6.56"	3.31"	9.3	<X>
2"	202-H7H7	2"	2"	6.83"	3.61"	12.5	

Submitted by: