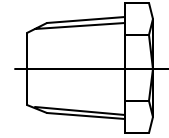


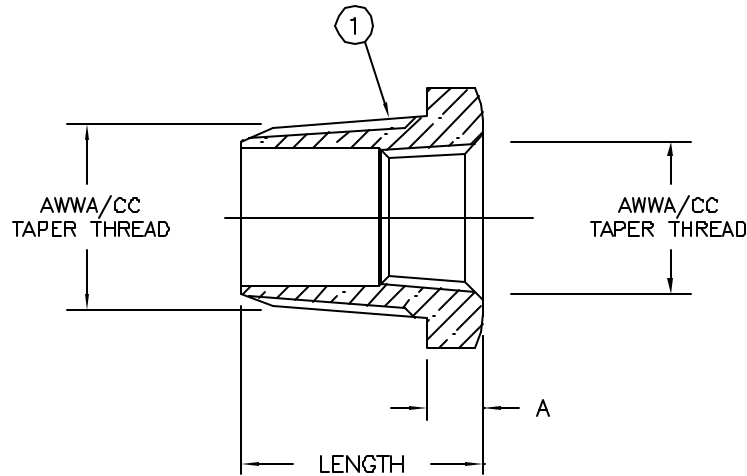
Cambridge Brass  
P.O. Box 249  
140 Orion Place  
Cambridge, Ontario  
Canada N1R 5V1  
Tel: (519) 621-5520  
Fax: (519) 621-8674  
http://www.cambridgebrass.com



MODEL NO. 83

MALE AWWA TAPER THREAD x  
FEMALE AWWA TAPER THREAD

BRASS BUSHING  
FOR CORPORATION STOPS



PARTS AND MATERIAL:  
1. BUSHING: CAST BRASS, COPPER ALLOY C83600

- FEATURES:
- MANUFACTURED IN COMPLIANCE WITH AWWA STANDARD C800-05 (ASTM B-62 AND ASTM B-584, UNS NO C83600-85-5-5-5).
  - BODY PROVIDES WRENCH FLATES FOR PROPER INSTALLATION.

Cambridge Brass considers the information in this submittal form to be correct at the time of publication. Item and option availability, including specifications, are subject to change without notice.

CATALOG NO.	OUTSIDE THREAD SIZE	INSIDE THREAD SIZE	LENGTH	WRENCH FLAT HEIGHT (A)	APPROX. WT. LBS.
83-A3A1	3/4" AWWA	1/2" AWWA	1.54"	.30"	0.3
83-A4A3	1" AWWA	3/4" AWWA	1.66"	.38"	
83-A6A3	1 1/2" AWWA	3/4" AWWA	2.13"	.50"	
83-A6A4	1 1/2" AWWA	1" AWWA	2.13"	.50"	
83-A7A3	2" AWWA	3/4" AWWA	2.22"	.50"	
83-A7A4	2" AWWA	1" AWWA	2.22"	.50"	
83-A7A6	2" AWWA	1 1/2" AWWA	2.22"	.50"	

Submitted by: