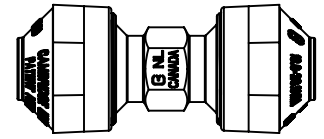


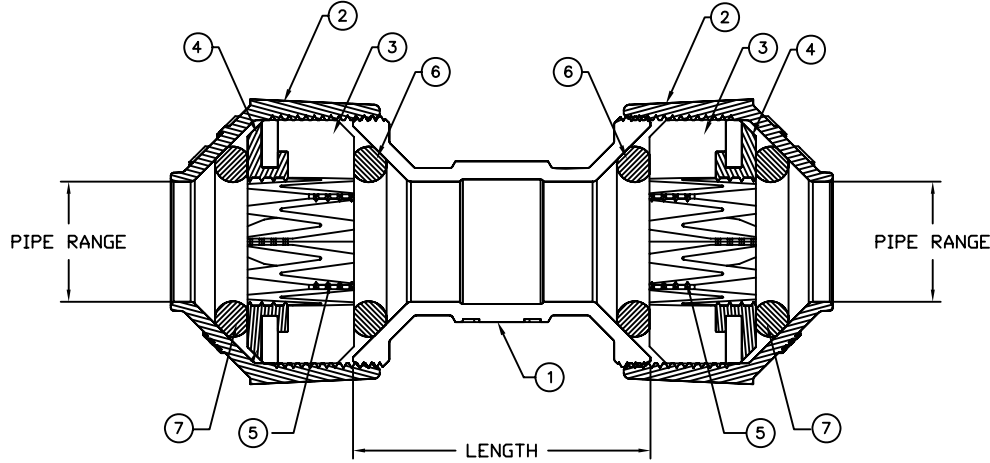
Cambridge Brass  
P.O. Box 249  
140 Orion Place  
Cambridge, Ontario  
Canada N1R 5V1  
Tel: (519) 621-5520  
Fax: (519) 621-8674  
http://www.cambridgebrass.com



MODEL NO. 119

U x U

CAMBRIDGE COUPLING



**PARTS AND MATERIAL:**

- 1. COUPLING BODY: CAST BRASS, NO LEAD ALLOY C89833
- 2. NUT: CAST BRASS, NO LEAD ALLOY C89833
- 3. GRIPPER BODY: MATERIAL PLASTIC, NORYL
- 4. TOOTH (FIRST ROW): 301 STAINLESS STEEL
- 5. TOOTH (SECOND ROW): 301 STAINLESS STEEL
- 6. PRESSURE SEAL: EPDM RUBBER
- 7. DIRT SEAL: EPDM RUBBER

**FEATURES:**

- ALL COMPONENTS CONFORM TO AWWA C800-05 (ASTM B-584 UNS NO C89833 FOR BRASS PARTS IN CONTACT WITH POTABLE WATER, AND ASTM B-62 AND B-584 UNS NO C83600 FOR ALL OTHER BRASS PARTS).
- CSA CLASSIFIED TO ANSI/NSF STANDARD 61-8.
- BODY PROVIDES LARGE, RUGGED WRENCH FLATS FOR PROPER INSTALLATION.
- 300 PSI WORKING PRESSURE

Cambridge Brass considers the information in this submittal form to be correct at the time of publication. Item and option availability, including specifications, are subject to change without notice.

CATALOG NO.	U	U	RANGE[IN]	LENGTH[IN]	APROX.WEIGHT[LB]
119NL-U2U2	5/8"	5/8"	.600-.900 x .600-.900	2.96	2.65
119NL-U2U3	5/8"	3/4"	.600-.900 x .735-1.135	2.96	3.57
119NL-U3U3	3/4"	3/4"	.735-1.135 x .735-1.135	2.96	3.00
119NL-U3U4	3/4"	1"	.735-1.135 x 1.000-1.400	2.96	3.53
119NL-U4U4	1"	1"	1.000-1.400 x 1.000-1.400	2.96	3.33
119NL-U4U5	1"	1 1/4"	1.000-1.400 x 1.300-1.700	3.27	4.38
119NL-U5U5	1 1/4"	1 1/4"	1.300-1.700 x 1.300-1.700	3.27	4.69
119NL-U5U6	1 1/4"	1 1/2"	1.300-1.700 x 1.600-2.000	3.50	5.03
119NL-U6U6	1 1/2"	1 1/2"	1.600-2.000 x 1.600-2.000	3.50	5.18
119NL-U6U7	1 1/2"	2"	1.600-2.000 x 1.969-2.381	3.50	5.92
119NL-U7U7	2"	2"	1.969-2.381 x 1.969-2.381	3.50	5.94

Submitted by: