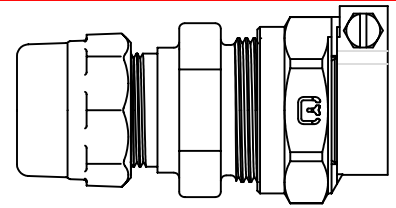


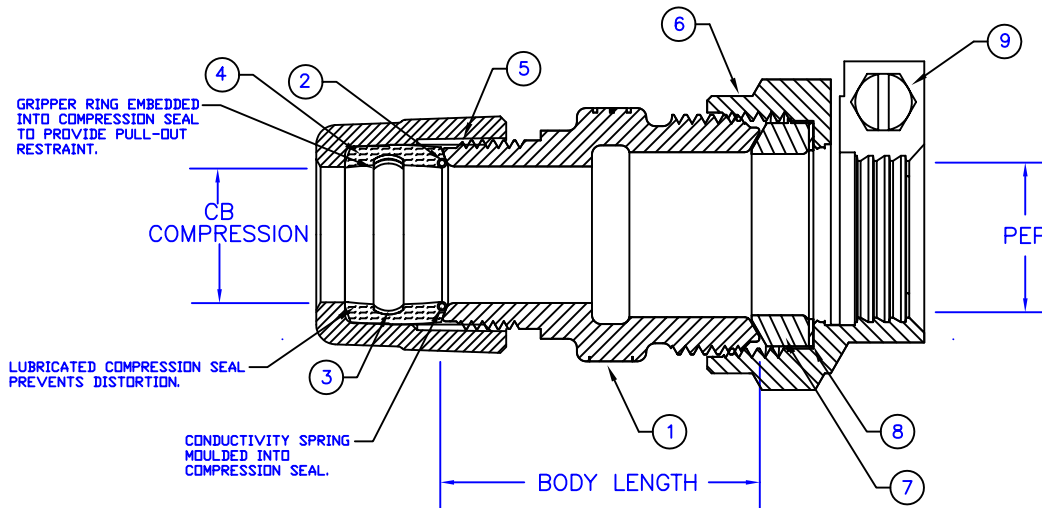
Cambridge Brass
P.O. Box 249
140 Orion Place
Cambridge, Ontario
Canada N1R 5V1
Tel: (519) 621-5520
Fax: (519) 621-8674
http://www.cambridgebrass.com



MODEL NO. 119NL CB COMPRESSION X PEP

NL COUPLING – FULL BORE

CB COMPRESSION USES COPPER OR PLASTIC TUBING PER ASTM D2737 OR F877 (CTS)
PEP CONNECTION USES PLASTIC TUBING PER ASTM D2239



- PARTS AND MATERIAL:
1. COUPLING BODY: CAST BRASS, CDA ALLOY C89833
 2. CONDUCTOR SPRING: BRASS
 3. GRIPPER: STAINLESS STEEL, TYPE 302
 4. COMPRESSION SEAL: NITRILE RUBBER
 5. COMPRESSION NUT: CAST BRASS, ALLOY C83600
 6. PEP NUT: CAST BRASS, CDA ALLOY C83600
 7. PEP COMPRESSION SEAL: NITRILE RUBBER NSF-61 APPROVED
 8. PEP ANTI-FRICTION WASHER: HIGH DENSITY POLYETHYLENE (HDPE)
 9. SCREW: STAINLESS STEEL AISI TYPE 304

- FEATURES:
- MANUFACTURED IN COMPLIANCE WITH AWWA STANDARD C800-05
ASTM B-62 AND ASTM B-584, UNS NO C83600 (85-5-5-5).
 - <X> CSA CLASSIFIED TO ANSI/NSF STANDARD 68-8.
 - BODY PROVIDES LARGE, RUGGED WRENCH FLATES FOR PROPER INSTALLATION.

Cambridge Brass considers the information in this submittal form to be correct at the time of publication. Item and option availability, including specifications, are subject to change without notice.

CATALOG NO.	CB COMPRESSION	PEP SIZE	BODY LENGTH	APPROX. WT. LBS.	CLASSIFIED NSF 61-8
119NL-H3PE3	3/4"	3/4"	2.10"		
119NL-H3PE4	3/4"	1"	2.41"		
119NL-H4PE3	1"	3/4"	2.12"		
119NL-H4PE4	1"	1"	2.41"		

Submitted by: