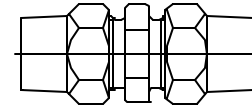


Cambridge Brass  
P.O. Box 249  
140 Orion Place  
Cambridge, Ontario  
Canada N1R 5V1  
Tel: (519) 621-5520  
Fax: (519) 621-8674  
<http://www.cambridgebrass.com>

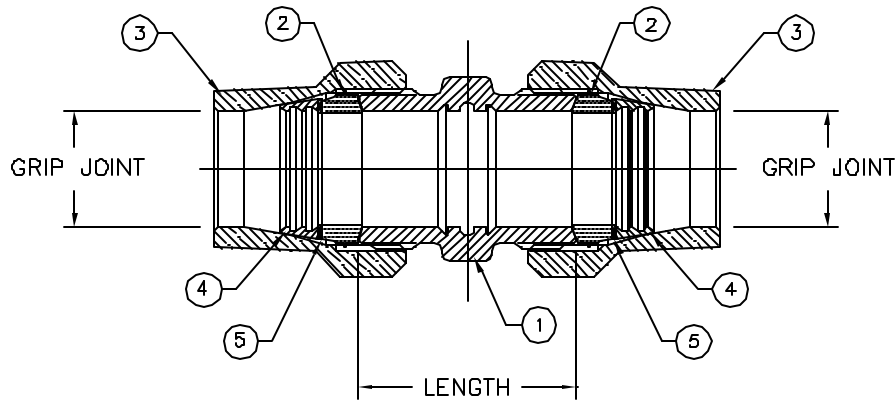


MODEL NO. 119NL

GRIP JOINT x GRIP JOINT

COUPLING – FULL BORE

FOR COPPER OR PLASTIC (CTS) TUBING



**PARTS AND MATERIAL:**

1. COUPLING BODY: CAST BRASS, ALLOY C89833
2. GASKET: NITRILE RUBBER
3. COMPRESSION NUT: CAST BRASS, ALLOY C83600
4. GRIPPER: BRASS, ALLOY C26000
5. WASHER: POLYETHYLENE

**FEATURES:**

- ALL COMPONENTS CONFORM TO AWWA STANDARD C800-05 (ASTM B-584 UNS NO C89833 FOR ALL BRASS PARTS IN CONTACT WITH POTABLE WATER, AND ASTM B-62 AND B-584 UNS NO C83600 FOR ALL OTHER BRASS PARTS).
- CSA CLASSIFIED TO ANSI/NSF STANDARD 61-8.
- BODY PROVIDES LARGE, RUGGED WRENCH FLATES FOR PROPER INSTALLATION.

Cambridge Brass considers the information in this submittal form to be correct at the time of publication. Item and option availability, including specifications, are subject to change without notice.

CATALOG NO.	GRIP JOINT	GRIP JOINT	LENGTH	APPROX. WT. LBS.
119NL-GJ3GJ3	3/4"	3/4"	1.93"	0.9
119NL-GJ4GJ4	1"	1"	2.12"	1.9

Submitted by: