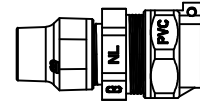


Cambridge Brass  
P.O. Box 249  
140 Orion Place  
Cambridge, Ontario  
Canada N1R 5V1  
Tel: (519) 621-5520  
Fax: (519) 621-8674  
http://www.cambridgebrass.com

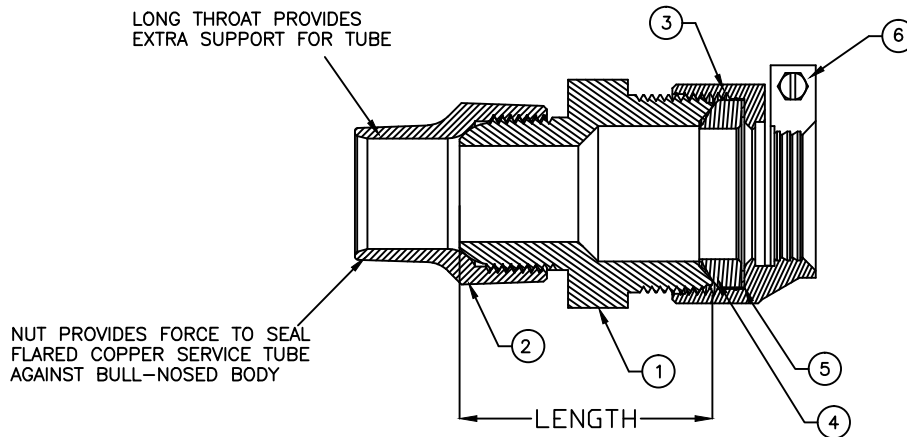


MODEL NO. 119NL

COPPER FLARE X CAMPAK

COUPLING – FULL BORE

CB COMPRESSION USES COPPER OR PLASTIC TUBING (CTS) PER ASTM D2737 OR F877  
PJ CONNECTION USES PLASTIC TUBING PER ASTM D2241 OR D1785 OR D3035 AND AWWA C901



**PARTS AND MATERIAL:**

1. COUPLING BODY: NO LEAD CAST BRASS, ALLOY C89833
2. COPPER FLARE NUT: CAST BRASS, ALLOY C83600
3. PJ NUT: CAST BRASS, CDA ALLOY C83600
4. PJ COMPRESSION SEAL: NITRILE RUBBER NSF-61 APPROVED
5. PJ ANTI-FRICTION WASHER: HIGH DENSITY POLYETHYLENE (HDPE)
6. SCREW: STAINLESS STEEL AISI TYPE 304

**FEATURES:**

- CONFORMS TO AWWA C800 (ASTM B584 UNS C89833 FOR ALL BRASS PARTS IN CONTACT WITH POTABLE WATER)
- CONFORMS TO ANSI/NSF 61-8
- CONFORMS TO ANSI/NSF 372 (COMPLIANT WITH US Safe Drinking Water Act. PL111-380)
- BODY PROVIDES WRENCH FLATS FOR INSTALLATION
- 300 PSI WORKING PRESSURE

Cambridge Brass considers the information in this submittal form to be correct at the time of publication. Item and option availability, including specifications, are subject to change without notice.

CATALOG NO.	COPPER FLARE	PJ SIZE	BODY LENGTH	APPROX. WT. LBS.
119NL-C3PJ3	3/4"	3/4"	2.09"	
119NL-C4PJ3	1"	3/4"	2.66"	
119NL-C4PJ4	1"	1"	2.79"	
119NL-C4PJ6	1"	1 1/2"	3.15"	
119NL-C6PJ6	1 1/2"	1 1/2"	3.61"	
119NL-C7PJ6	2"	1 1/2"	4.40"	
119NL-C7PJ7	2"	2"	4.43"	

Submitted by: