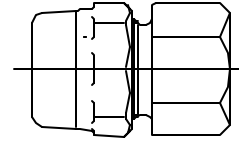


Cambridge Brass  
P.O. Box 249  
140 Orion Place  
Cambridge, Ontario  
Canada N1R 5V1  
Tel: (519) 621-5520  
Fax: (519) 621-8674  
http://www.cambridgebrass.com

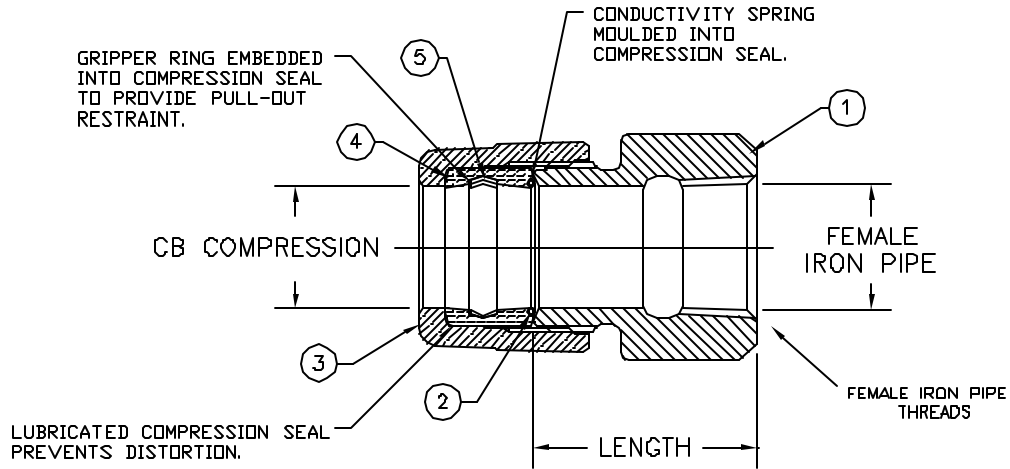


MODEL NO. 117NL

CB COMPRESSION x  
FEMALE IRON PIPE

ADAPTOR

FOR COPPER OR PLASTIC TUBING (CTS) x THREADED PIPE



PARTS AND MATERIAL:

1. BODY: CAST BRASS, ALLOY C89833
2. CONDUCTOR SPRING: BRASS
3. COMPRESSION NUT: CAST BRASS, ALLOY C83600
4. COMPRESSION SEAL: NITRILE RUBBER
5. GRIPPER: STAINLESS STEEL, ALLOY 302

FEATURES:

- MANUFACTURED IN COMPLIANCE WITH AWWA STANDARD C800-05 (ASTM B-584, UNS NO C89833).
- CSA CLASSIFIED TO ANSI/NSF STANDARD 61-8.
- BODY PROVIDES LARGE, RUGGED WRENCH FLATES FOR PROPER INSTALLATION.

Cambridge Brass considers the information in this submittal form to be correct at the time of publication. Item and option availability, including specifications, are subject to change without notice.

COUPLING SIZE	CATALOG NO.	CB COMPRESSION	FEMALE IRON PIPE	LENGTH	APPROX. WT. LBS.
3/4" x 1/2"	117NL-H3F1	3/4"	1/2"	1.59"	0.8
3/4"	117NL-H3F3	3/4"	3/4"	1.65"	0.7
3/4" x 1"	117NL-H3F4	3/4"	1"	1.74"	0.9
1" x 3/4"	117NL-H4F3	1"	3/4"	1.84"	1.3
1"	117NL-H4F4	1"	1"	1.84"	1.2
1 1/2"	117NL-H6F6	1 1/2"	1 1/2"	2.80"	2.3
2"	117NL-H7F7	2"	2"	2.75"	3.1

Submitted by: