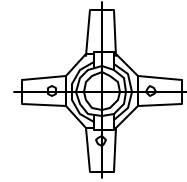


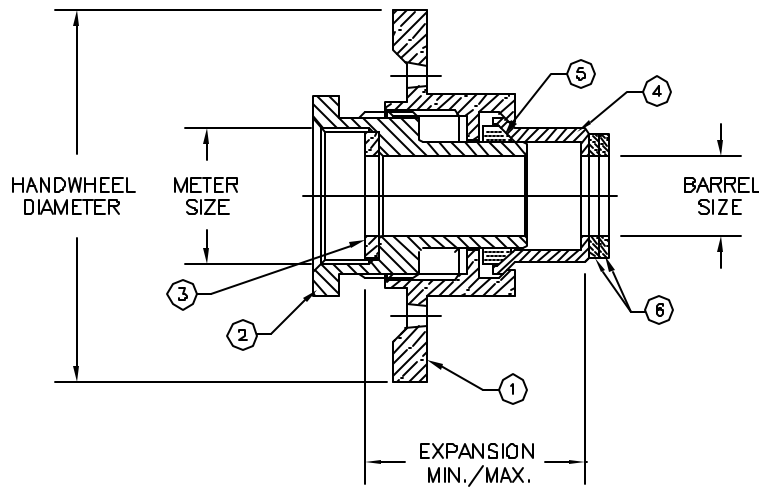
Cambridge Brass
 P.O. Box 249
 140 Orion Place
 Cambridge, Ontario
 Canada N1R 5V1
 Tel: (519) 621-5520
 Fax: (519) 621-8674
<http://www.cambridgebrass.com>



MODEL NO. 430

HANDWHEEL TYPE

IRON YOKE
 EXPANSION CONNECTION



PARTS AND MATERIAL:

- 1. HANDWHEEL: CAST BRASS, ALLOY C84400
- 2. EXPANSION BODY: CAST BRASS, ALLOY C83600
- 3. FIBER GASKET: GARLOCK 3200
- 4. THIMBLE: COPPER, ALLOY C23000
- 5. GASKET: NITRILE RUBBER
- 6. GASKET: NITRILE RUBBER

FEATURES:

- MANUFACTURED IN COMPLIANCE WITH AWWA STANDARD C800-05 (ASTM B-62 AND ASTM B-584, UNS NO C83600-85-5-5-5).
- EXPANSION CONNECTION ATTACHES TO THE METER. TOGETHER, THEY ARE INSTALLED AS AN EXPANDABLE UNIT.
- ENHANCED SECURITY WHEN THE EXPANSION CONNECTION IS REMOVED ALONG WITH THE METER.
- THIMBLE NOSE PIECE DOES NOT ROTATE AFTER CONTACT WITH THE RUBBER YOKE END GASKET.

Cambridge Brass considers the information in this submittal form to be correct at the time of publication. Item and option availability, including specifications, are subject to change without notice.

METER SIZE	CATALOG NO.	BARREL SIZE	HANDWHEEL DIAMETER	EXPANSION MIN./MAX.	APPROX. WT. LBS.
5/8"	430-1	.60"	3.26"	1.44/1.75	
5/8"x3/4" & 3/4"	430-3	.75"	3.50"	1.62/2.03	
1"	430-4	1.00"	4.26"	1.90/2.54	

Submitted by: