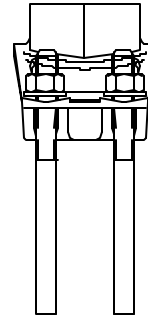
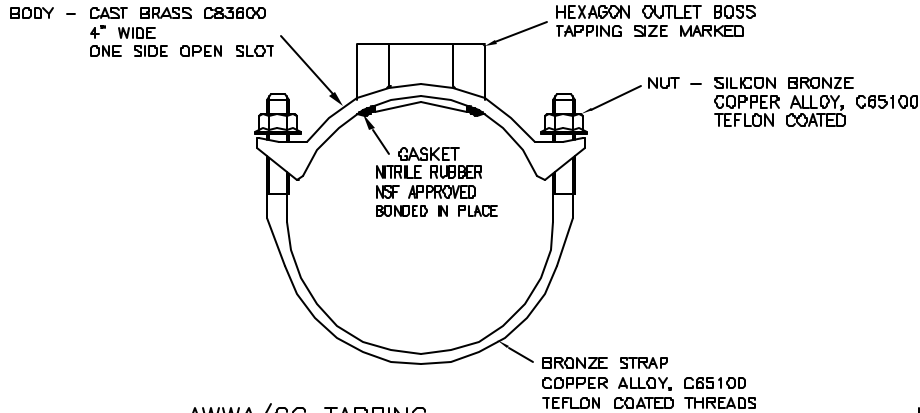
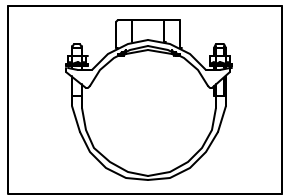


SUBMITTAL INFORMATION

SERIES 810 BRASS SADDLE WITH DOUBLE BRONZE STRAPS



AWWA/CC TAPPING

NOM. PIPE SIZE	O.D. RANGE	AWWA OUTLET	CATALOG NUMBER	APPROX. WT. LBS.	SUBMITTED ITEM(S)
4"	4.50" TO 4.80"	3/4"	810-0480-A3		
		1"	810-0480-A4		
		1 1/2"	810-0480-A6		
		2"	810-0480-A7		
4"	4.80" TO 5.40"	3/4"	810-0540-A3		
		1"	810-0540-A4		
		1 1/2"	810-0540-A6		
		2"	810-0540-A7		
6"	6.62" TO 7.50"	3/4"	810-0750-A3		
		1"	810-0750-A4		
		1 1/2"	810-0750-A6		
		2"	810-0750-A7		
8"	8.62" TO 9.62"	3/4"	810-0962-A3		
		1"	810-0962-A4		
		1 1/2"	810-0962-A6		
		2"	810-0962-A7		
10"	10.75" TO 12.12"	3/4"	810-1212-A3		
		1"	810-1212-A4		
		1 1/2"	810-1212-A6		
		2"	810-1212-A7		
12"	12.75" TO 14.38"	3/4"	810-1438-A3		
		1"	810-1438-A4		
		1 1/2"	810-1438-A6		
		2"	810-1438-A7		

IRON PIPE TAPPING

NOM. PIPE SIZE	O.D. RANGE	FIP OUTLET	CATALOG NUMBER	APPROX. WT. LBS.	SUBMITTED ITEM(S)
4"	4.50" TO 4.80"	3/4"	810-0480-F3		
		1"	810-0480-F4		
		1 1/2"	810-0480-F6		
		2"	810-0480-F7		
4"	4.80" TO 5.40"	3/4"	810-0540-F3		
		1"	810-0540-F4		
		1 1/2"	810-0540-F6		
		2"	810-0540-F7		
6"	6.62" TO 7.50"	3/4"	810-0750-F3		
		1"	810-0750-F4		
		1 1/2"	810-0750-F6		
		2"	810-0750-F7		
8"	8.62" TO 9.62"	3/4"	810-0962-F3		
		1"	810-0962-F4		
		1 1/2"	810-0962-F6		
		2"	810-0962-F7		
10"	10.75" TO 12.12"	3/4"	810-1212-F3		
		1"	810-1212-F4		
		1 1/2"	810-1212-F6		
		2"	810-1212-F7		
12"	12.75" TO 14.38"	3/4"	810-1438-F3		
		1"	810-1438-F4		
		1 1/2"	810-1438-F6		
		2"	810-1438-F7		

Cambridge Brass considers the information in this submittal form to be correct at the time of publication. Item and option availability, including specifications, are subject to change without notice.

Cambridge Brass
 P.O. Box 249, 140 Orion Place
 Cambridge, Ontario
 Canada N1R 5V1
 Tel: (519) 621-5520
 Fax: (519) 621-8674
<http://www.cambridgebrass.com>



SUBMITTED BY: