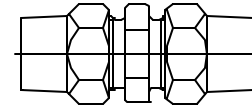


Cambridge Brass
P.O. Box 249
140 Orion Place
Cambridge, Ontario
Canada N1R 5V1
Tel: (519) 621-5520
Fax: (519) 621-8674
http://www.cambridgebrass.com

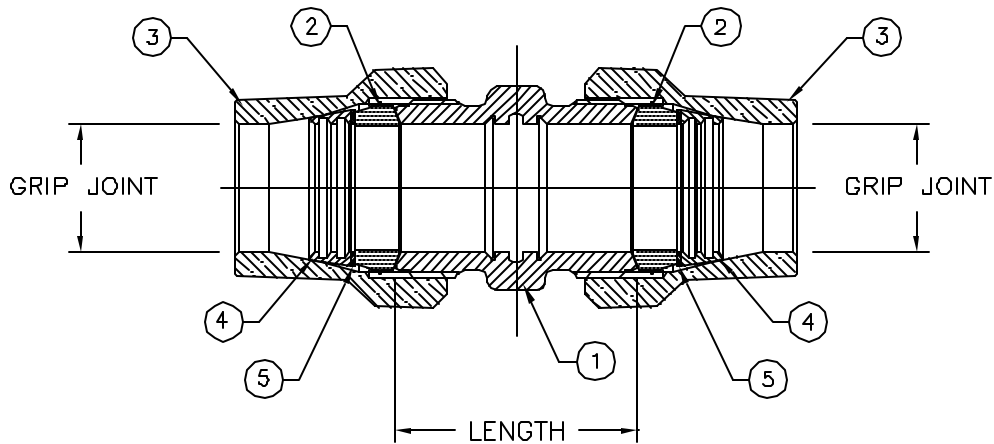


MODEL NO. 119NL

GRIP JOINT x GRIP JOINT

COUPLING - FULL BORE

FOR COPPER OR PLASTIC (CTS) TUBING



PARTS AND MATERIAL:

- 1. COUPLING BODY: CAST BRASS, ALLOY C89833
- 2. GASKET: NITRILE RUBBER
- 3. COMPRESSION NUT: CAST BRASS, ALLOY C83600
- 4. GRIPPER: BRASS, ALLOY C26000
- 5. WASHER: POLYETHYLENE

FEATURES:

- MANUFACTURED IN COMPLIANCE WITH AWWA STANDARD C800-05 (ASTM B-584, UNS NO C89833).
- CSA CLASSIFIED TO ANSI/NSF STANDARD 61-8.
- BODY PROVIDES LARGE, RUGGED WRENCH FLATES FOR PROPER INSTALLATION.

Cambridge Brass considers the information in this submittal form to be correct at the time of publication. Item and option availability, including specifications, are subject to change without notice.

CATALOG NO.	GRIP JOINT	GRIP JOINT	LENGTH	APPROX. WT. LBS.
119NL-GJ3GJ3	3/4"	3/4"	1.70"	0.9
119NL-GJ4GJ4	1"	1"	2.00"	1.9

Submitted by: