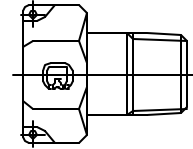


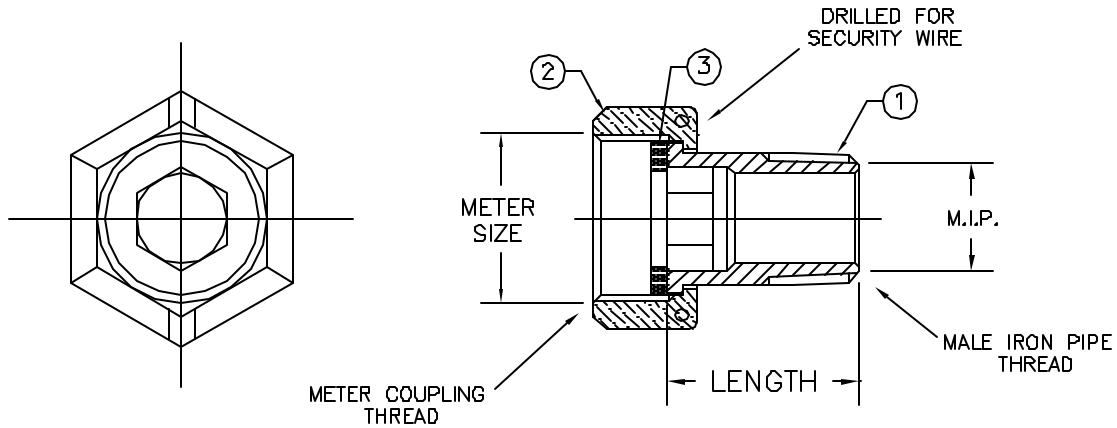
Cambridge Brass
 P.O. Box 249
 140 Orion Place
 Cambridge, Ontario
 Canada N1R 5V1
 Tel: (519) 621-5520
 Fax: (519) 621-8674
 http://www.cambridgebrass.com



MODEL NO. 412NL

METER SWIVEL NUT x
 MALE IRON PIPE

STRAIGHT METER COUPLING



- PARTS AND MATERIAL:
1. COUPLING BODY: CAST BRASS, ALLOY C89833
 2. METER SWIVEL NUT: CAST BRASS, ALLOY C84400
 3. METER GASKET: NEOPRENE

- FEATURES:
- MANUFACTURED IN COMPLIANCE WITH AWWA STANDARD C80D-05 (ASTM B-584, UNS NO C89833)
 - SLIP-ON METER SWIVEL NUT
 - CONFORMS TO AWWA C700 FOR METER THREADS.
 - INSIDE WRENCH HEX.

Cambridge Brass considers the information in this submittal form to be correct at the time of publication. Item and option availability, including specifications, are subject to change without notice.

CATALOG NO.	METER SIZE	METER THREAD	MALE IRON PIPE	LENGTH	APPROX. WT. LBS.
412NL-T3M3	5/8" x 3/4" & 3/4"	1" NPSM	3/4"	1.50	
412NL-T4M4	1"	1 1/4" NPSM	1"	1.50	

Submitted by: