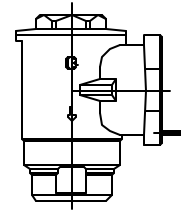


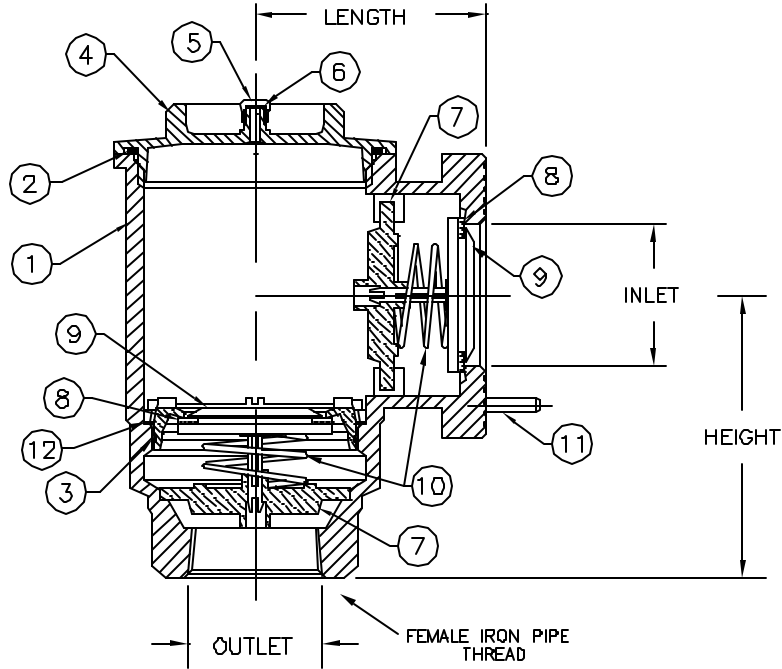
Cambridge Brass  
P.O. Box 249  
140 Orion Place  
Cambridge, Ontario  
Canada N1R 5V1  
Tel: (519) 621-5520  
Fax: (519) 621-8674  
http://www.cambridgebrass.com



MODEL NO. 500

METER FLANGE x  
FEMALE IRON PIPE

ANGLE CHECK VALVE



**PARTS AND MATERIAL:**

- 1. BODY: CAST BRASS, ALLOY C83600
- 2. O-RING: NITRILE RUBBER
- 3. O-RING: NITRILE RUBBER
- 4. CAP: CAST BRASS, ALLOY C83600
- 5. TEST PORT CAP: BRASS, ALLOY C36000
- 6. GASKET: NITRILE RUBBER
- 7. SUPPORT BRACKET: CELCON
- 8. SEAL: EPDM 2520-105
- 9. POPPET: CELCON
- 10. SPRING: STAINLESS STEEL
- 11. STUD: STAINLESS STEEL
- 12. BOTTOM CAGE: CAST BRASS, ALLOY C83600

**FEATURES:**

- MANUFACTURED IN COMPLIANCE WITH AWWA STANDARD C800-05 (ASTM B-62 AND ASTM B-584, UNS NO C83600-85-5-5-5).
- CARTRIDGES ACCESSIBLE THROUGH CAP.
- 180 DEG. FAHRENHEIT MAXIMUM CONSTANT TEMPERATURE.
- 175 PSI MAXIMUM WORKING PRESSURE.
- ASSE 1024 APPROVED

Cambridge Brass considers the information in this submittal form to be correct at the time of publication. Item and option availability, including specifications, are subject to change without notice.

CATALOG NO.	METER FLANGE SIZE	OUTLET F.I.P.	LENGTH	HEIGHT	APPROX. WT. LBS.
500-MF6F6	1 1/2"	1 1/2"	3.25"	3.98"	
500-MF7F7	2"	2"	3.25"	3.98"	

Submitted by: